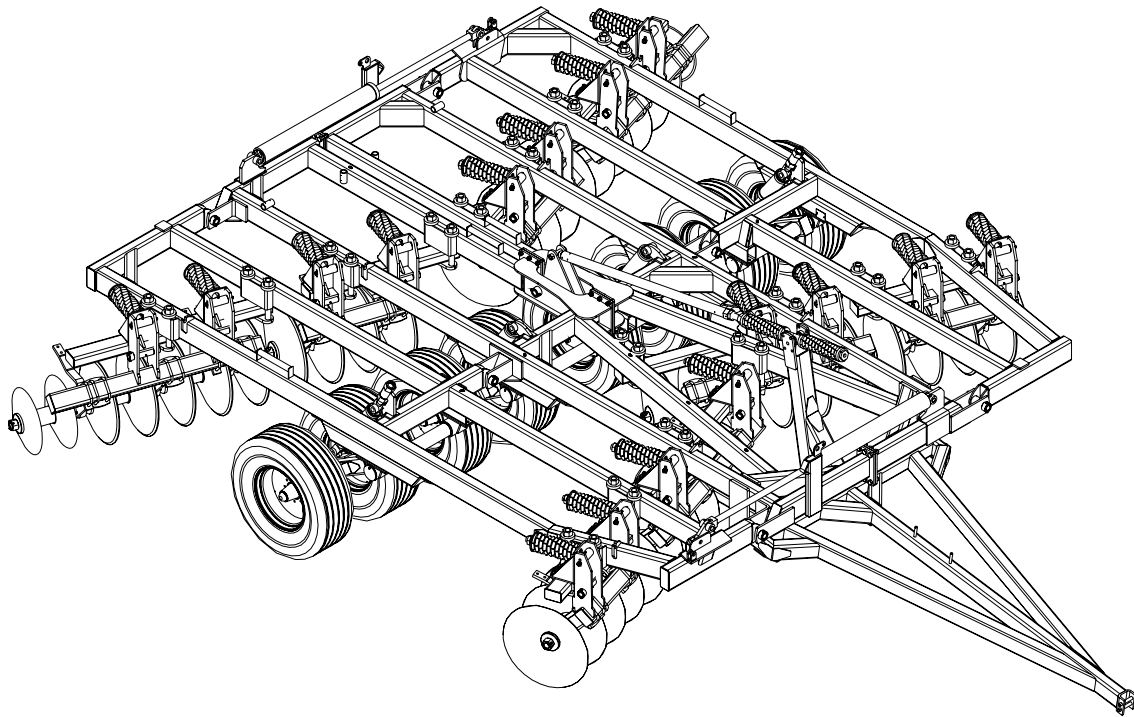




P  
A  
R  
T  
S  
  
M  
A  
N  
U  
A  
L



**WR WIL-RICH**

PO Box 1030  
Wahpeton, ND 58074  
PH (701) 642-2621  
Fax (701) 642-3372  
[www.wil-rich.com](http://www.wil-rich.com)

## Orientation

Any reference to left (L) or right (R) sides or components is to be understood as being viewed from behind the implement and looking forward.

## Serial Number Break

Every implement has a serial number located on the frame. These serial numbers are consecutively assigned to the implements as they are manufactured. To aid in part ordering, we reference to the serial number at the point the change occurred to provide an accurate means of determining the proper parts.

## Abbreviations

|        |                        |
|--------|------------------------|
| ASSY   | Assembly               |
| BLD    | Blade                  |
| BRKT   | Bracket                |
| CTR    | Center                 |
| CP     | Cup Point              |
| (FF)   | Female Female          |
| GR     | Grade of Bolt          |
| HD     | Heavy Duty             |
| HDWE   | Hardware               |
| INCL   | Includes               |
| LH     | Left Hand              |
| (MF)   | Male Female            |
| MF     | Main Frame             |
| MTG    | Mounting               |
| NC     | National Course Thread |
| NF     | National Fine Thread   |
| NPT    | National Pipe Thread   |
| RH     | Right Hand             |
| W/     | With                   |
| W/O    | Without                |
| BLT    | Bolt                   |
| 2POSLK | 2 Position lock        |
| HLK    | Hex lock               |
| WSHR   | Washer                 |
| ADP    | Adapter                |
| ELB    | Elbow                  |
| HSE    | Hose                   |
| WHL    | Wheel                  |
| BRG    | Bearing                |
| BLK    | Black                  |
| SPNDL  | Spindle                |
| SLTD   | Sotted                 |
| FTG    | Fitting                |
| GRS    | Grease                 |
| HYD    | Hydraulic              |
| SEQ    | Sequence               |
| QTY    | Quantity               |
| SEC    | Section                |
| FT     | Foot                   |
| CRG    | Carriage               |
| DIA    | Diameter               |

# **CONTENTS**

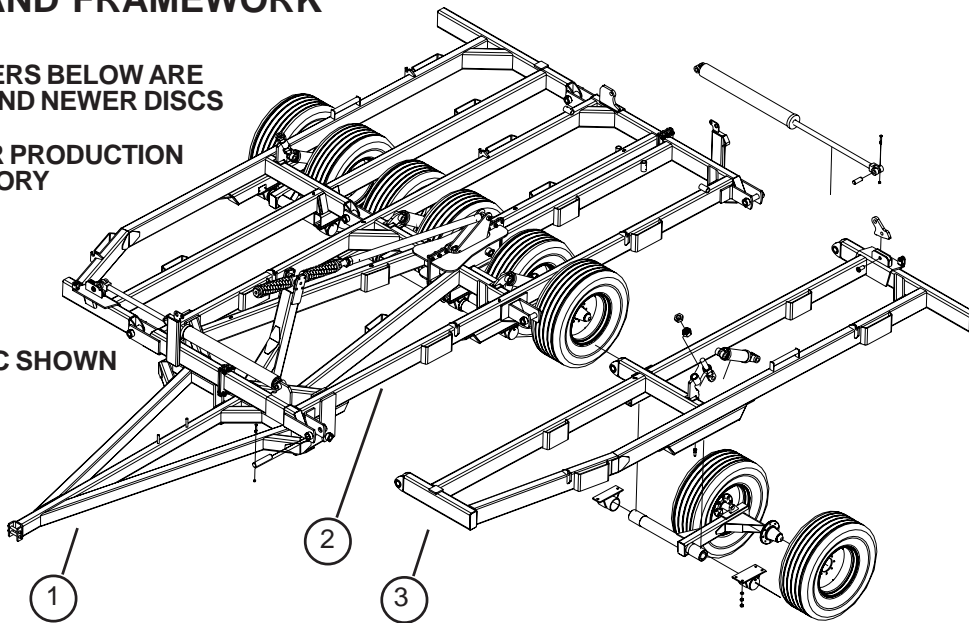
|                                          |              |
|------------------------------------------|--------------|
| BLADES .....                             | 20-21        |
| BEARINGS .....                           | 20-21        |
| BEARING STANDARD SCRAPER .....           | 39           |
| CUSHION GANG PARTS .....                 | 23           |
| CYLINDERS, FOLD.....                     | 52-54        |
| CYLINDER, FOLD OVER CENTER<br>LOCK ..... | 62           |
| CYLINDER, LIFT .....                     | 47-48        |
| DECALS .....                             | 67           |
| DEPTH CONTROL .....                      | 44-46        |
| FRAMES .....                             | 4            |
| GANG, CUSHION.....                       | 23           |
| GANG, RIGID/ROCK FLEX.....               | 20-22        |
| GANG ATTACHING PARTS .....               | 22           |
| GANGSHAFTS .....                         | 20-21, 24-36 |
| HITCHES .....                            | 4            |
| HITCH ITEMS .....                        | 12           |
| HUBS AND SPINDLES .....                  | 15-18        |
| HYD. HOSES .....                         | 43-58, 62-64 |
| JACKS .....                              | 12           |
| LEVELING COMPONENTS .....                | 9-11         |
| LEVELING SCREW.....                      | 9-11         |
| LIGHT KIT .....                          | 65           |
| MISCELLANEOUS .....                      | 68           |
| MUD SCRAPER .....                        | 42           |
| OVER CENTER LOCK<br>MECHANISM .....      | 59-61        |
| RIMS .....                               | 19           |
| REAR HITCH .....                         | 66           |
| ROTARY SCRAPER .....                     | 39-41        |
| RUNNING GEARS.....                       | 5-8          |
| SCRAPER BAR BRACKET .....                | 37           |
| SCRAPERS .....                           | 37-42        |
| SINGLE POINT DEPTH CNTRL .....           | 44-45        |
| SPOOL SCRAPER .....                      | 38           |
| STANDARD SCRAPER .....                   | 38           |
| TIRES .....                              | 19           |
| TRANSPORT LOCKS .....                    | 46           |
| UTILITY POLE .....                       | 13           |
| WING AXLE ADJUST .....                   | 8            |
| WRENCHS .....                            | 12           |

# HITCH AND FRAMEWORK

ALL NUMBERS BELOW ARE FOR 2014 AND NEWER DISCS

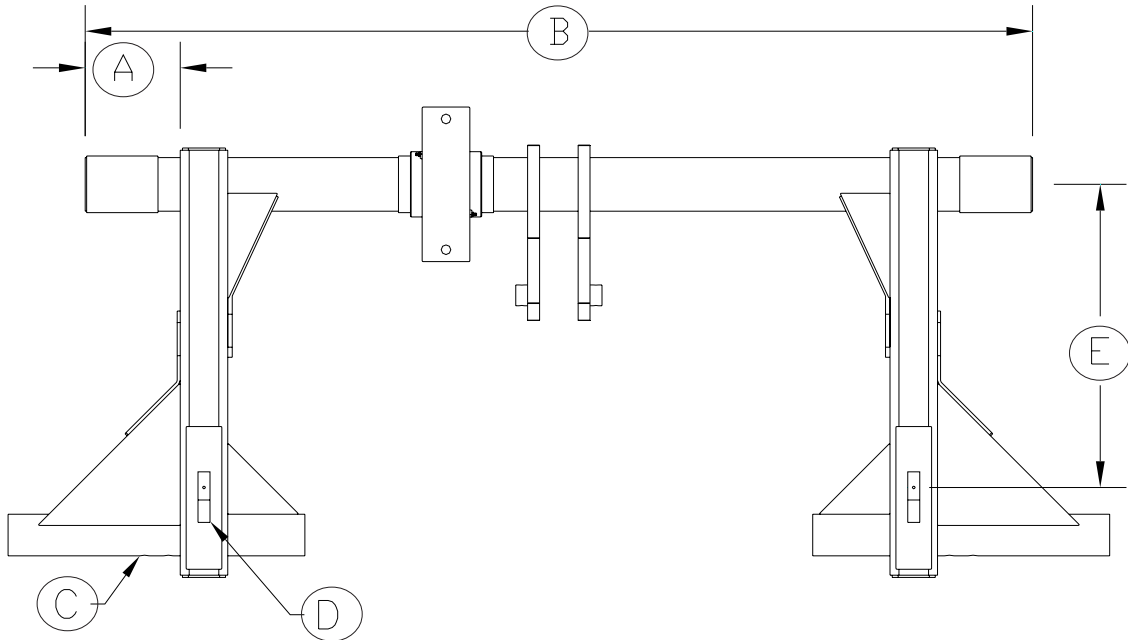
FOR OLDER PRODUCTION CALL FACTORY

22FT DISC SHOWN



| ITEM   | PART NO. | DESCRIPTION             | MODEL                                      |                                     |                    |
|--------|----------|-------------------------|--------------------------------------------|-------------------------------------|--------------------|
| 1      | 109525   | 26' TO 38' TANDEM HITCH | 714/742/814/842/816/862 - NT/LNT - 26'-38' |                                     |                    |
|        | 109526   | 22' TO 24' TANDEM HITCH | 714/742/8814/842/816/862 - NT - 22'-24'    |                                     |                    |
|        | 350069   | 12' TO 18' TANDEM HITCH | 714/742/8814/842/816/862 - NT - 12'-18'    |                                     |                    |
|        | 350070   | 12' TO 18' OFFSET HITCH | 612/812/842/816/862 - N - 12'-18'          |                                     |                    |
|        | 106783   | 10' OFFSET HITCH        | 612/642/812/842 - N - 10'                  |                                     |                    |
|        | 352921   | 22' TO 26' OFFSET HITCH | 812/842 - N - 22'-26'                      |                                     |                    |
|        | 2        | 106420                  | OFFSET - NON FOLD 4"X6"                    | 612 - N - 12'-18'                   |                    |
|        |          | 108115                  | TANDEM - NON FOLD                          | 714 - NT/NTC - 12'-18'              |                    |
|        |          | 105851                  | OFFSET - NON FOLD                          | 812/842/816/862 - N - 12'-18'       |                    |
|        |          | 106487-05               | TANDEM - NON FOLD                          | 742/842/862 - NT - 12'-18'          |                    |
|        |          | 108131                  | TANDEM - NON FOLD                          | 814/816 - NT - 14'-18'              |                    |
|        |          | 354884                  | TANDEM - FOLD                              | 714/742 - NT - 24'-26'              |                    |
|        |          | 242800                  | TANDEM - FOLD                              | 714/742/814/816/842/862 - NT - 30'  |                    |
|        |          | 350811                  | TANDEM - FOLD                              | 714/814/842/816/862 - LNT - 34'-38' |                    |
|        |          | 354883                  | TANDEM - FOLD                              | 742/842/862 - LNT - 34'-38'         |                    |
| 352700 |          | OFFSET - FOLD           | 812 - NOCL - 22'-26'                       |                                     |                    |
| 243231 |          | TANDEM - FOLD           | 814/816 - NT - 22'                         |                                     |                    |
| 243790 |          | TANDEM - FOLD           | 842/862 - NT - 22'-24'                     |                                     |                    |
| 243791 |          | TANDEM - FOLD           | 814/842/862 - NT - 24'-26'                 |                                     |                    |
| 3      |          | LEFT WING               | RIGHT WING                                 | DESCRIPTION                         | MODEL              |
| 3      |          | 355578                  | 355579                                     | TANDEM                              | 714/742 - NT - 24' |
|        | 108880   | W108881                 | TANDEM                                     | 714/742/814/816 NT - 30'            |                    |
|        | 109944   | W109945                 | TANDEM                                     | 714/814/816 - LNT - 34'             |                    |
|        | 352900   | 352901                  | TANDEM                                     | 714/814/816 - LNT - 38'             |                    |
|        | 355690   | 355691                  | TANDEM                                     | 742 - LNT - 34'                     |                    |
|        | 355834   | 355835                  | TANDEM                                     | 742 - LNT - 38'                     |                    |
|        | 355539   | 355540                  | TANDEM                                     | 714/742 - NT - 26'                  |                    |
|        | 352701   | 352702                  | OFFSET                                     | 812 - NOCL - 24'-26'                |                    |
|        | 352703   | 352704                  | OFFSET                                     | 812 - NOCL - 22'                    |                    |
|        | 354909   | 354910                  | TANDEM                                     | 814 - NT - 22'-24'                  |                    |
|        | 352990   | 352991                  | TANDEM                                     | 814 - NT - 26'                      |                    |
|        | 108761   | W108762                 | TANDEM                                     | 842/862 - NT - 22'-24'              |                    |
|        | 108763   | W108764                 | TANDEM                                     | 842/862 - NT - 24'-26'              |                    |
|        | 108773   | W108774                 | TANDEM                                     | 842/862 - NT - 30'                  |                    |
|        | 109705   | W109706                 | TANDEM                                     | 842/862 - LNT - 34'                 |                    |
|        | 352898   | 352899                  | TANDEM                                     | 842/862 - LNT - 38'                 |                    |
|        | 108920   | W108921                 | TANDEM                                     | 816 - NT - 22'                      |                    |

# NON-FOLDING RUNNING GEARS



A - INCHES

B - INCHES

C - NUMBER OF SPINDLE BOLT HOLES

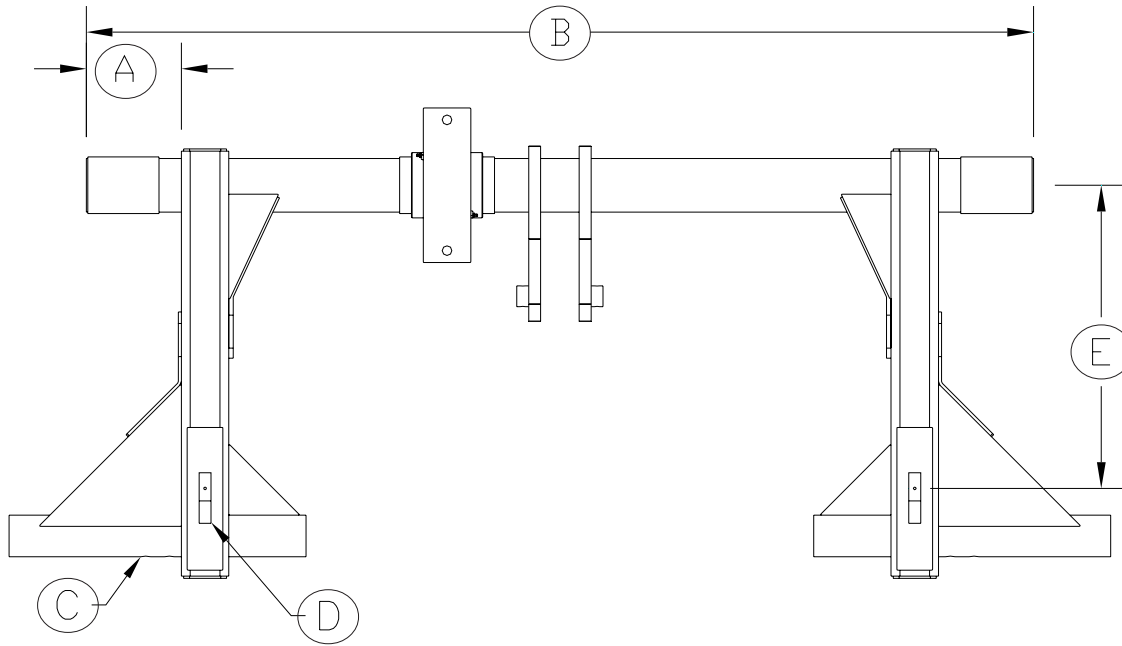
D - NUMBER OF CYLINDER LUGS

E - INCHES

| PART NO.  | A   | B     | C       | D     | E     | HUB    | MODEL              |
|-----------|-----|-------|---------|-------|-------|--------|--------------------|
| 105875-02 | 8   | 89.75 | 1 HOLE  | 1 LUG | 24.36 | 8 BOLT | 842/862NT 12-18'   |
| 106007    | 8   | 86.75 | 1 HOLE  | 1 LUG | 25.5  | 8 BOLT | 812/816N 12-18'    |
| 106051    | 7.5 | 56.25 | 1 HOLE  | 1 LUG | 21.38 | 8 BOLT | 842N 10'           |
| 106440    | 8   | 86.75 | 1 HOLE  | 1 LUG | 26.63 | 6 BOLT | 714NT 12-18'       |
| 107451-04 | 8   | 89.75 | 1 HOLE  | 1 LUG | 24.38 | 8 BOLT | 814/816NT 12-18'   |
| 108262    | 8   | 89.75 | 2 HOLES | 1 LUG | 22.75 | 8 BOLT | 742NT 12-18'       |
| 108695    | 8   | 89.75 | 1 HOLE  | 1 LUG | 21.5  | 8 BOLT | 842/862NT 12-18'   |
| 108705    | 7.5 | 56.25 | 1 HOLE  | 1 LUG | 24.88 | 8 BOLT | 812N 10'           |
| 109601    | 8   | 86.75 | 2 HOLES | 1 LUG | 22    | 8 BOLT | 842/862N 12-18'    |
| 109602    | 8   | 86.75 | 2 HOLES | 1 LUG | 22    | 8 BOLT | 842/862N 12-18' EX |
| 109603    | 8   | 89.75 | 2 HOLES | 1 LUG | 22    | 8 BOLT | 842/862NT 12-18'   |
| 109610    | 8   | 86.75 | 2 HOLES | 1 LUG | 24.5  | 8 BOLT | 812/816N 12-18'    |
| 109611    | 8   | 86.75 | 2 HOLES | 1 LUG | 24.5  | 8 BOLT | 812/816N 12-18' EX |
| 109612    | 8   | 89.75 | 2 HOLES | 1 LUG | 24.5  | 8 BOLT | 812/816NT 12-18'   |
| 109838    | 8   | 89.75 | 2 HOLES | 1 LUG | 26.38 | 8 BOLT | 714NT 12-18'       |
| 109839    | 8   | 89.75 | 2 HOLES | 1 LUG | 25.13 | 8 BOLT | 714NTC 12-18'      |
| 109995    | 8   | 86.75 | 2 HOLES | 1 LUG | 27.13 | 6 BOLT | 612N 12-18'        |
| 109996    | 8   | 86.75 | 2 HOLES | 1 LUG | 27.13 | 6 BOLT | 612N 12-18' EX     |
| 109997    | 8   | 86.75 | 2 HOLES | 1 LUG | 25.75 | 6 BOLT | 612NC 12-18'       |
| 109998    | 8   | 86.75 | 2 HOLES | 1 LUG | 25.75 | 6 BOLT | 612NC 12-18' EX    |
| 105875    | 8   | 86.75 | 1 HOLE  | 1 LUG | 21.5  | 8 BOLT | 842/862N 12-18'    |

**CHANGE TO 2-HOLES  
MID YEAR 2010**

# FOLDING MAIN FRAME RUNNING GEARS



A - INCHES

B - INCHES

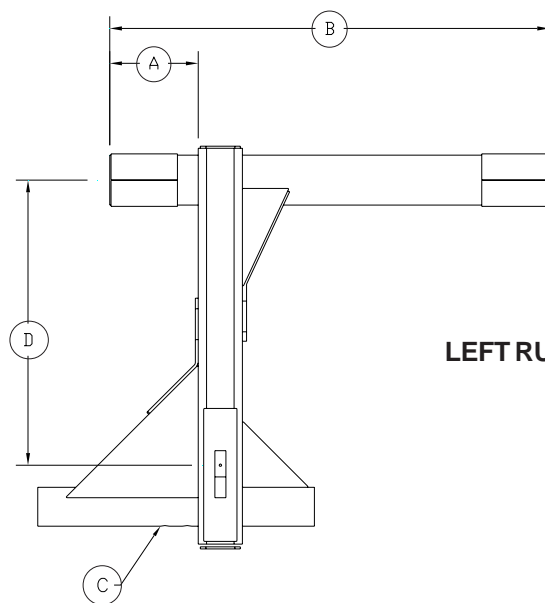
C - NUMBER OF SPINDLE BOLT HOLES

D - NUMBER OF CYLINDER LUGS

E - INCHES

| PART NO. | A   | B     | C       | D     | E     | HUB     | MODEL             |
|----------|-----|-------|---------|-------|-------|---------|-------------------|
| 246513   | 8   | 79.75 | 1 HOLE  | 1 LUG | 27.13 | 10 BOLT |                   |
| 352937   | 6.5 | 69.75 | 2 HOLES | -     | -     | 8 BOLT  | 812NOCL22-26'     |
| 355839   | 8   | 95.75 | 2 HOLES | 1 LUG | 28.63 | 10 BOLT | 742NT 24-30'      |
| 355842   | 8   | 95.75 | 2 HOLES | 1 LUG | 30.13 | 10 BOLT | 714LNT 34-38'     |
| 355843   | 8   | 95.75 | 2 HOLES | 1 LUG | 30.13 | 10 BOLT | 714NT 24-30'      |
| 355846   | 8   | 95.75 | 2 HOLES | 1 LUG | 29.13 | 10 BOLT | 714NTC 24-30'     |
| 355849   | 8   | 95.75 | 2 HOLES | 1 LUG | 29.13 | 10 BOLT | 714LNTC 34-38'    |
| 356022   | 8   | 95.75 | 2 HOLES | 1 LUG | 26.13 | 8 BOLT  | 714NTC LITE       |
| 104749   | 6.5 | 69.75 | 1 HOLE  | -     | -     | 8 BOLT  | 812NOCL 22-26'    |
| 106160   | 9.5 | 95.75 | 1 HOLE  | 2 LUG | 25.63 | 10 BOLT |                   |
| 106175   | 8   | 79.75 | 1 HOLE  | 1 LUG | 25.63 | 8 BOLT  | 842/862NT 22-24'  |
| 106321   | 8   | 95.75 | 1 HOLE  | 1 LUG | 25.63 | 8 BOLT  | 842/862NT 26-30'  |
| 106341   | 8   | 95.75 | 1 HOLE  | 1 LUG | 27.13 | 10 BOLT |                   |
| 106521   | 8   | 95.75 | 1 HOLE  | 1 LUG | 27.13 | 8 BOLT  | 814/816NT 26-30'  |
| 108544   | 8   | 95.75 | 1 HOLE  | 1 LUG | 25.63 | 10 BOLT |                   |
| 108697   | 8   | 95.75 | 1 HOLE  | 1 LUG | 30.13 | 10 BOLT |                   |
| 109021   | 8   | 79.75 | 1 HOLE  | 1 LUG | 27.13 | 8 BOLT  | 814/816NT 22-26'  |
| 109229   | 9.5 | 95.75 | 1 HOLE  | 1 LUG | 25.63 | 10 BOLT |                   |
| 109604   | 8   | 79.75 | 2 HOLES | 1 LUG | 25.75 | 8 BOLT  | 842/862NT 22-24'  |
| 109605   | 8   | 95.75 | 2 HOLES | 1 LUG | 25.75 | 8 BOLT  | 842/862NT 26-30'  |
| 109606   | 8   | 95.75 | 2 HOLES | 1 LUG | 25.75 | 10 BOLT | 842/862LNT 34-38' |
| 109607   | 8   | 95.75 | 2 HOLES | 1 LUG | 25.75 | 10 BOLT | 842/862NT 26-30'  |
| 109613   | 8   | 79.75 | 2 HOLES | 1 LUG | 27.5  | 8 BOLT  | 814/816NT 22-26'  |
| 109614   | 8   | 95.75 | 2 HOLES | 1 LUG | 27.5  | 8 BOLT  | 814/816NT 26-30'  |
| 109615   | 8   | 95.75 | 2 HOLES | 1 LUG | 27.5  | 10 BOLT | 814/816NT 34-38'  |
| 109789   | 8   | 95.75 | 2 HOLES | 1 LUG | 28.63 | 8 BOLT  | 742NT 24-30'      |
| 109790   | 8   | 95.75 | 2 HOLES | 1 LUG | 28.38 | 10 BOLT | 742LNT 34-308'    |
| 109840   | 8   | 95.75 | 2 HOLES | 1 LUG | 30.13 | 8 BOLT  | 714NT 24-30'      |
| 109841   | 8   | 95.75 | 2 HOLES | 1 LUG | 29.13 | 8 BOLT  | 714NTC 24-30'     |

# FOLDING WING RUNNING GEARS



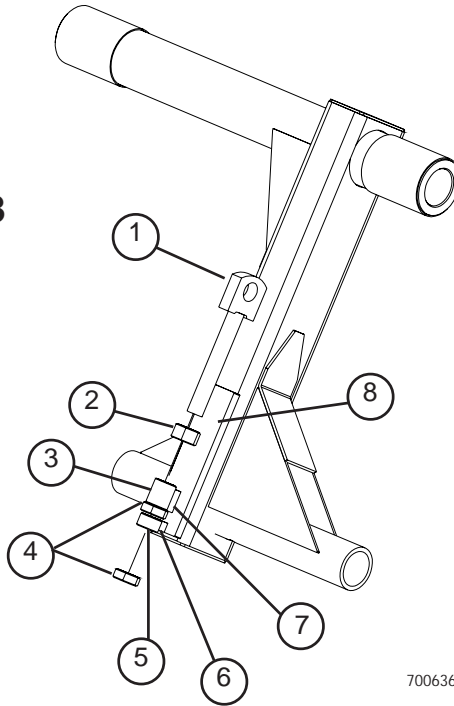
LEFT RUNNING GEAR SHOWN

A - INCHES                      B - INCHES                      C - NUMBER OF SPINDLE BOLT HOLES                      D - INCHES

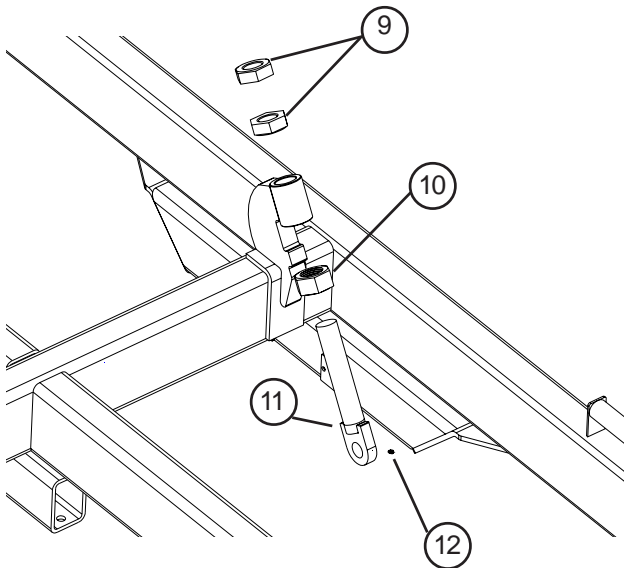
| LH PART # | RH PART # | A   | B     | C       | D     | HUB     | MODEL            |
|-----------|-----------|-----|-------|---------|-------|---------|------------------|
| 246514    | 246515    | 7.5 | 39.75 | 1 HOLE  | 27.13 | 8 BOLT  |                  |
| 350364    | 350365    | 6.5 | 39.75 | 1 HOLE  | -     | 8 BOLT  | 812NOCL24-26'    |
| 350366    | 350367    | 6.5 | 29.75 | 1 HOLE  | -     | 8 BOLT  | 812NOCL20-22'    |
| 351822    | 351823    | 8   | 39.75 | 2 HOLES | 25.75 | 10 BOLT | 842/862NT 26-38' |
| 351824    | 351825    | 8   | 39.75 | 2 HOLES | 27.5  | 10 BOLT | 814/816NT 26-38' |
| 352938    | -         | 6.5 | 31.75 | 1 HOLE  | -     | 8 BOLT  | 812NOCL 22'      |
| -         | 352939    | 6.5 | 27.75 | 1 HOLE  | -     | 8 BOLT  | 812NOCL 22'      |
| 352940    | 352941    | 6.5 | 39.75 | 2 HOLE  | -     | 8 BOLT  | 812NOCL 24-26'   |
| 355840    | 355841    | 8   | 39.75 | 2 HOLES | 28.63 | 10 BOLT | 742NT 26-38'     |
| 355844    | 355845    | 8   | 39.75 | 2 HOLES | 30.13 | 10 BOLT | 714NT 26-38'     |
| 355847    | 355848    | 8   | 39.75 | 2 HOLES | 29.13 | 10 BOLT | 714NTC 26-38'    |
| 356023    | 356024    | 8   | 39.75 | 2 HOLES | 26.13 | 8 BOLT  | 714NTC LITE      |
| 104750    | W104750R  | 6.5 | 39.75 | 1 HOLE  | -     | 8 BOLT  | 812NOCL20-22'    |
| 104808    | W104808R  | 6.5 | 29.75 | 1 HOLE  | -     | 8 BOLT  | 812NOCL24-26'    |
| 106315    | W106316   | 7.5 | 39.75 | 1 HOLE  | ADJ   | 8 BOLT  |                  |
| 107004    | W107005   | 8   | 37.75 | 2 HOLES | ADJ   | 10 BOLT |                  |
| 108687    | W108688   | 7.5 | 39.75 | 1 HOLE  | 25.63 | 8 BOLT  |                  |
| 108689    | W108690   | 7.5 | 39.75 | 1 HOLE  | 27.13 | 8 BOLT  |                  |
| 108691    | W108692   | 7.5 | 39.75 | 1 HOLE  | 25.63 | 10 BOLT |                  |
| 108698    | W108699   | 7.5 | 39.75 | 1 HOLE  | 30.13 | 8 BOLT  |                  |
| 109608    | W109609   | 8   | 39.75 | 2 HOLES | 25.75 | 8 BOLT  | 842/862NT 22-38' |
| 109617    | W109618   | 8   | 39.75 | 2 HOLES | 27.5  | 8 BOLT  | 814/816NT 26-30' |
| 109791    | W109792   | 8   | 39.75 | 2 HOLES | 28.63 | 8 BOLT  | 742NT 24-38'     |
| 109842    | W109842   | 8   | 39.75 | 2 HOLES | 30.13 | 8 BOLT  | 714NT 24-38'     |
| 109844    | W109844   | 8   | 39.75 | 2 HOLES | 29.13 | 8 BOLT  | 714NTC 24-38'    |

# WING LEVEL ADJUST

**NOTE: PRIOR TO 2008**



700636



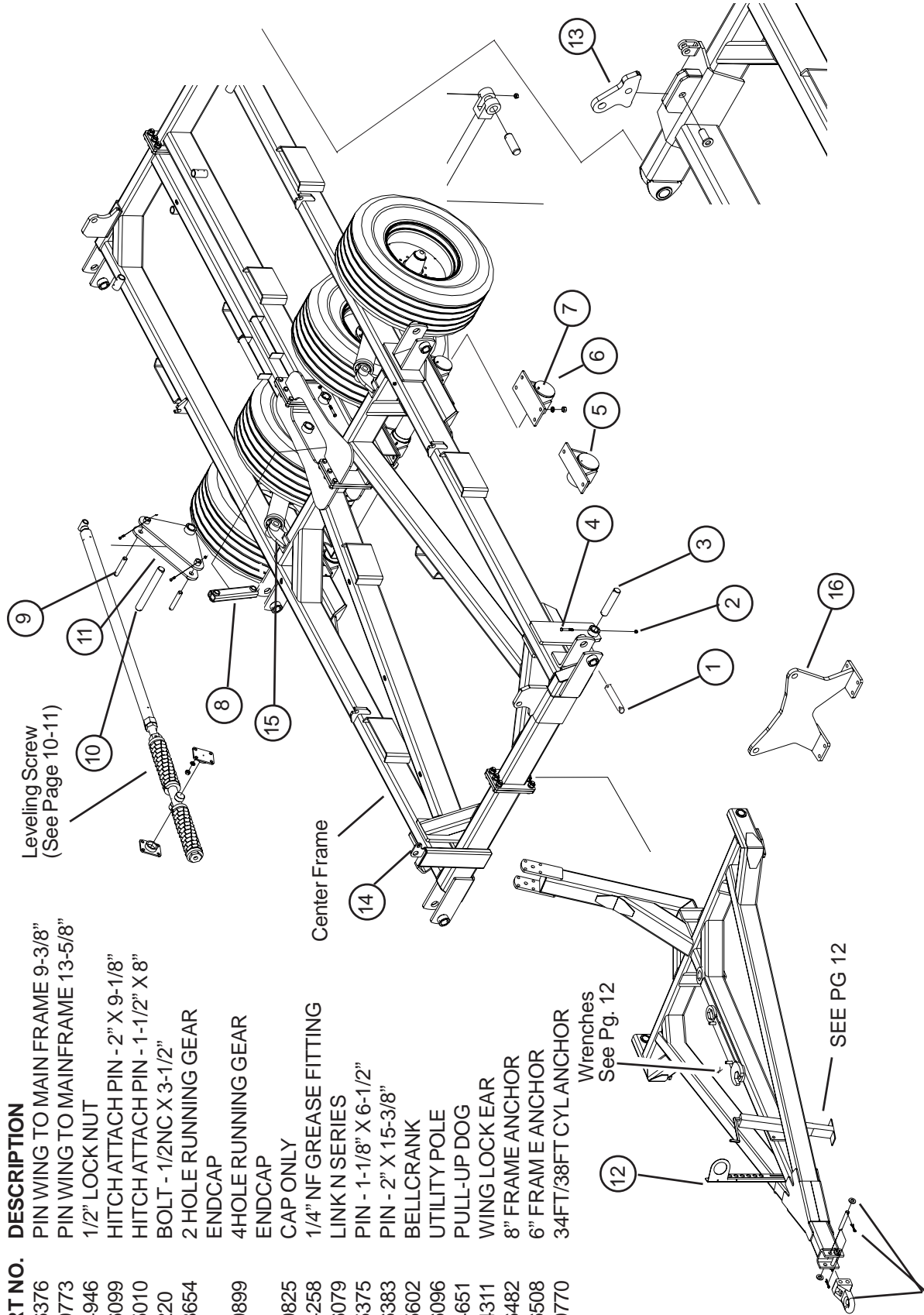
700637

**NOTE: 2008 AND LATER**

| ITEM | PART NO. | DESCRIPTION                    |
|------|----------|--------------------------------|
| 1    | 104608   | LEVELING SCREW (ON AXLE)       |
| 2    | 104728   | NUT - 1-1/4"NC                 |
| 3    | 108075   | LONG SLEEVE                    |
| 4    | 104780   | JAM NUT - 1-1/4"NC             |
| 5    | 108076   | SHORT SLEEVE                   |
| 6    | 108078   | SHORT STAND OFF MOUNT          |
| 7    | 108077   | LONG STAND OFF MOUNT           |
| 8    | 106307   | BASE PLATE                     |
| 9    | 107195   | JAM NUT - 2"NC                 |
| 10   | 1506     | NUT - 2"NC                     |
| 11   | 108686   | LEVELING SCREW (10.5" LONG)    |
|      | 352950   | LEVELING SCREW (16" LONG)      |
| 12   | 104258   | GREASE FITTING - 1/4-28NF      |
|      | 108693   | WING LEVEL UPDATE KIT (NO JIG) |
|      | 108746   | PLACEMENT JIG                  |



# LEVELING COMPONENTS

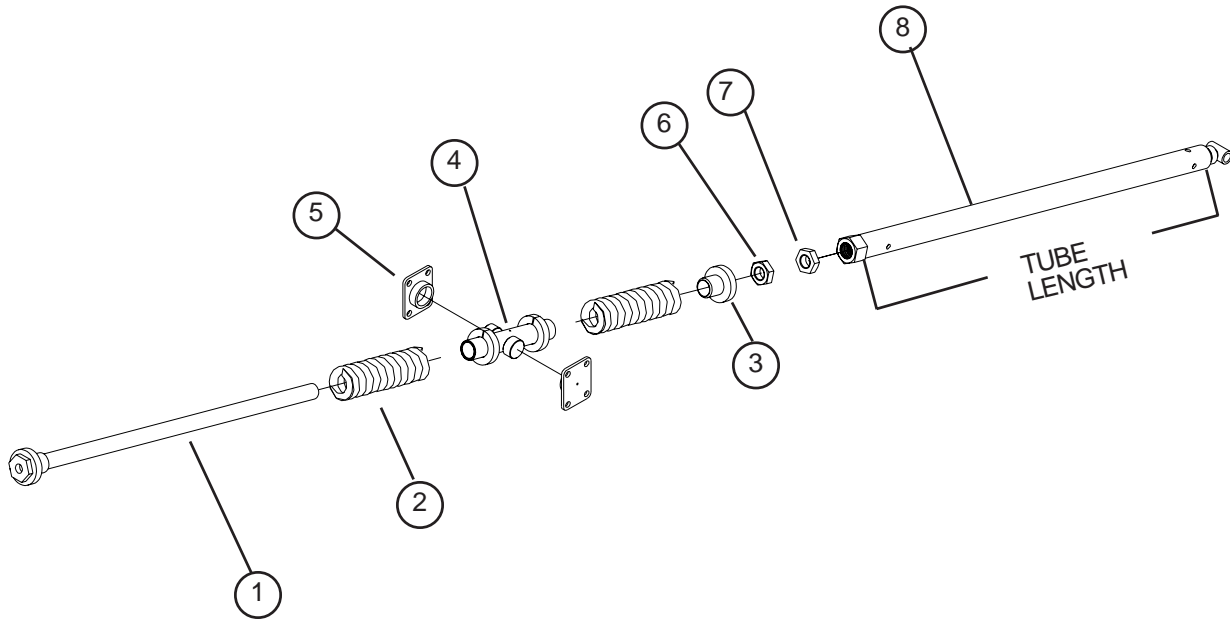


| ITEM PART NO. | DESCRIPTION                    |
|---------------|--------------------------------|
| 1             | PIN WING TO MAIN FRAME 9-3/8"  |
| 109773        | PIN WING TO MAINFRAME 13-5/8"  |
| 2             | 1/2" LOCKNUT                   |
| 3             | HITCH ATTACH PIN - 2" X 9-1/8" |
| 106099        | HITCH ATTACH PIN - 1-1/2" X 8" |
| 105010        | BOLT - 1/2NC X 3-1/2"          |
| 1220          | 2 HOLE RUNNING GEAR            |
| 103654        | ENDCAP                         |
| 6             | 4 HOLE RUNNING GEAR            |
| 109899        | ENDCAP                         |
| 109825        | CAP ONLY                       |
| 104258        | 1/4" NF GREASE FITTING         |
| 106079        | LINK N SERIES                  |
| 9             | PIN - 1-1/8" X 6-1/2"          |
| 105375        | PIN - 2" X 15-3/8"             |
| 106383        | BELLCRANK                      |
| 11            | UTILITY POLE                   |
| 236096        | PULL-UP DOG                    |
| 13            | WING LOCK EAR                  |
| 104651        | 8" FRAME ANCHOR                |
| 14            | 6" FRAME ANCHOR                |
| 106482        | 34FT/38FT CYL ANCHOR           |
| 106508        | Wrenches See Pg. 12            |
| 109770        | SEE PG 12                      |

Hitch  
See Pg. 12

700504

# MANUAL LEVELING COMPONENTS

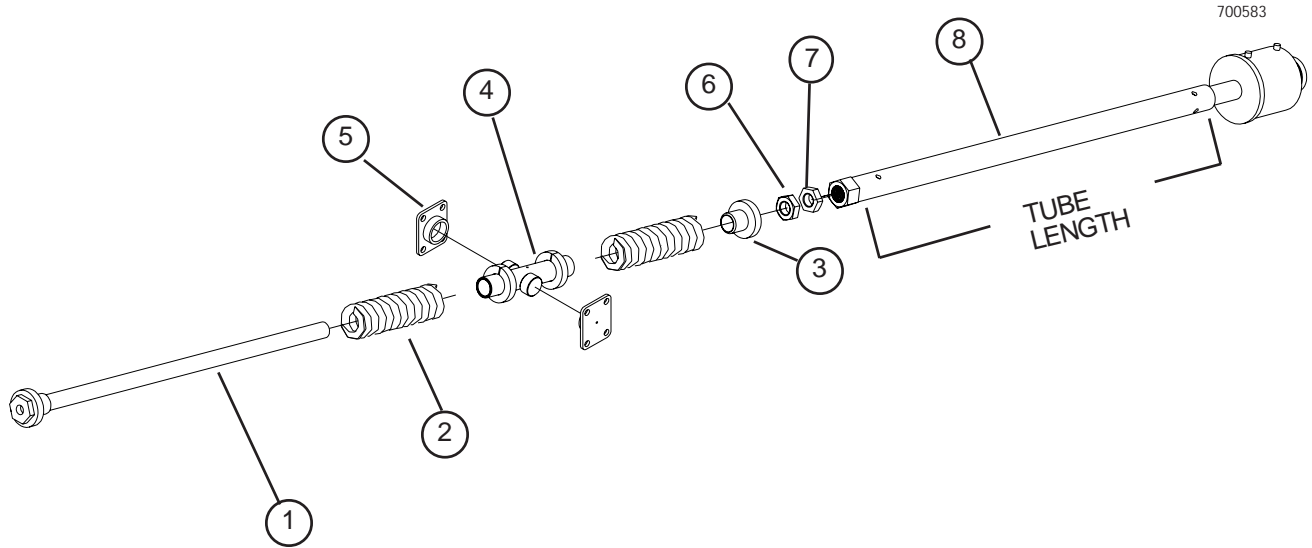


700505

## ITEM PART NO. DESCRIPTION

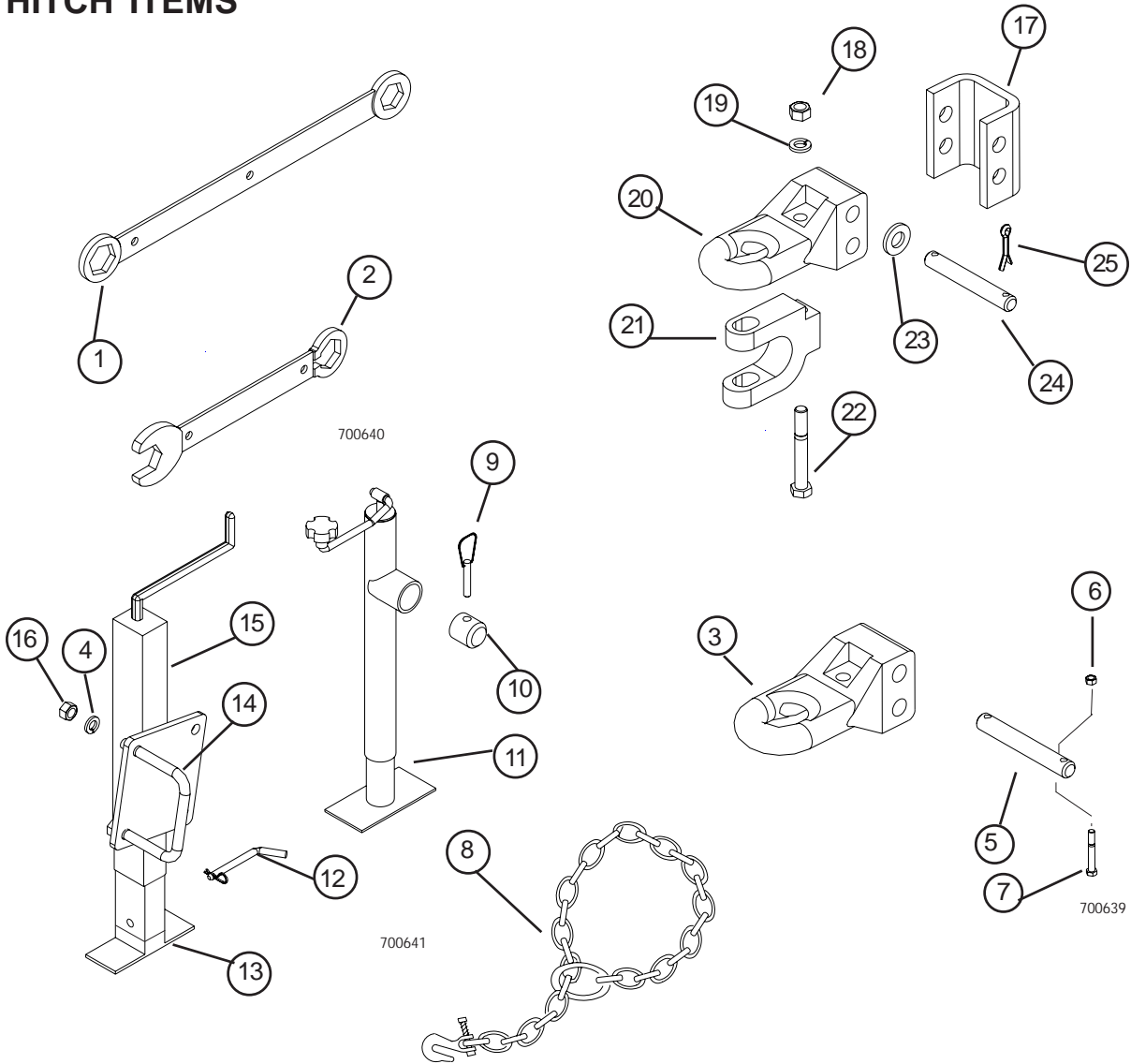
|   |           |                                                                    |
|---|-----------|--------------------------------------------------------------------|
| 1 | 350022    | LEVELING TUBE ADJUST - 52" - OFFSET FOLD/NON-FOLD, TANDEM NON-FOLD |
|   | 350023    | LEVELING TUBE ADJUST - 56" - TANDEM FOLD                           |
| 2 | 105924    | LEVELING SPRING - 16.25" OAL - WINGED UNITS                        |
|   | 103645    | LEVELING SPRING - 14.25" OAL - NON-WINGED AFTER 2000               |
|   | 1402      | LEVELING SPRING - 10" OAL - NON-WINGED BEFORE 2000                 |
| 3 | 103644    | WASHER WELD                                                        |
| 4 | 105707    | TRUNION - AFTER 2000                                               |
|   | 104568    | PIVOT ASSY - <18', BEFORE 2000                                     |
|   | 104571    | PIVOT ASSY - >20', BEFORE 2000                                     |
| 5 | 105676    | LEVELING FLANGE                                                    |
| 6 | 1506-9-16 | 2IN NUT W/ SET SCREW HOLES                                         |
| 7 | 89442     | 2IN JAM NUT                                                        |
| 8 | 350025    | 76" ADJUSTMENT TUBE - OFFSET, FOLD                                 |
|   | 350027    | 74" ADJUSTMENT TUBE - TANDEM, FOLD                                 |
|   | 350029    | 66" ADJUSTMENT TUBE - TANDEM, NON-FOLD                             |
|   | 350031    | 62" ADJUSTMENT TUBE - OFFSET, NON-FOLD                             |

# HYDRAULIC LEVELING COMPONENTS



| ITEM | PART NO. | DESCRIPTION                                                        |
|------|----------|--------------------------------------------------------------------|
| 1    | 350022   | LEVELING TUBE ADJUST - 52" - OFFSET FOLD/NON-FOLD, TANDEM NON-FOLD |
|      | 350023   | LEVELING TUBE ADJUST - 56" - TANDEM FOLD                           |
| 2    | 105924   | LEVELING SPRING - 16-25" OAL - WINGED UNITS                        |
|      | 103645   | LEVELING SPRING - 14.25" OAL - NON-WINGED AFTER 2000               |
|      | 1402     | LEVELING SPRING - 10" OAL - NON-WINGED BEFORE 2000                 |
| 3    | 103644   | WASHER WELD                                                        |
| 4    | 105707   | TRUNION - AFTER 2000                                               |
|      | 104568   | PIVOT ASSY - <18', BEFORE 2000                                     |
|      | 104571   | PIVOT ASSY - >20', BEFORE 2000                                     |
| 5    | 105676   | LEVELING FLANGE                                                    |
| 6    | 89442    | 2IN NUT                                                            |
| 7    | 107195   | 2IN JAM NUT                                                        |
| 8    | 350039   | 57" HYD ADJUSTMENT TUBE - OFFSET, FOLD                             |
|      | 350041   | 55" HYD ADJUSTMENT TUBE - TANDEM, FOLD                             |
|      | 350043   | 47" HYDADJUSTMENT TUBE - OFFSET, NON-FOLD                          |
|      | 350045   | 43" HYD ADJUSTMENT TUBE - TANDEM, NON-FOLD                         |
|      | 108596   | CYLINDER ONLY                                                      |
|      | 108621   | SEAL KIT - PRINCE                                                  |
|      | 1962     | SEAL KIT - WISHEK                                                  |

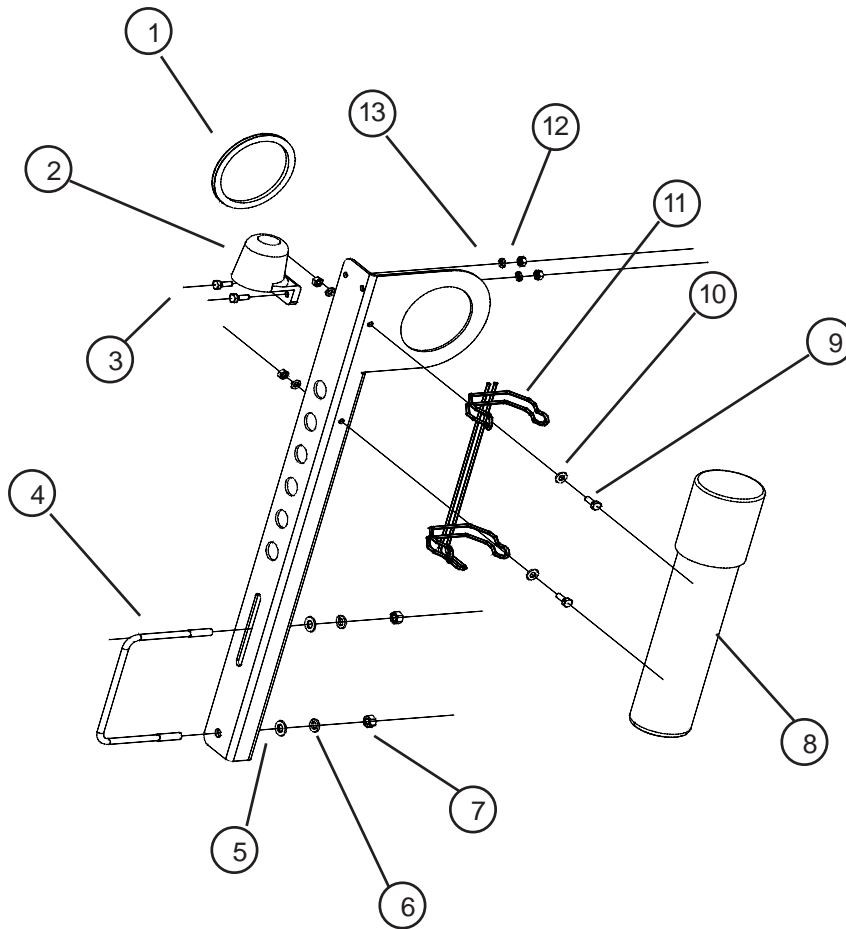
# HITCH ITEMS



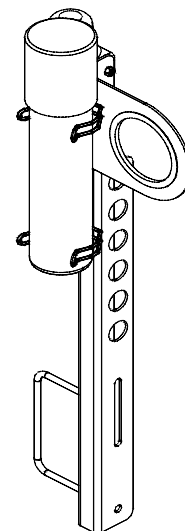
| ITEM | PART NO. | DESCRIPTION                                      |
|------|----------|--------------------------------------------------|
| 1    | 1560     | LONG WRENCH                                      |
| 2    | 1562     | SHORT WRENCH                                     |
| 3    | 107909   | CAT 4 AG HITCH 2-1/4" HOLE (HD)                  |
|      | 247751   | CAT 5 AG HITCH                                   |
| 4    | 1212     | 3/4" LOCKWASHER                                  |
| 5    | 109594   | PIN                                              |
| 6    | 88162    | LOCK NUT 3/8"NC                                  |
| 7    | 88581    | BOLT 3/8" X 2-1/4"                               |
| 8    | 24459    | SAFETY CHAIN - 10' TO 18'                        |
|      | 238225   | SAFETY CHAIN - 20' TO 30'                        |
|      | A36223   | SAFETY CHAIN - 34' TO 38'                        |
| 9    | 1799     | PIN - HITCH JACK                                 |
| 10   | 1800     | HITCH JACK MOUNT WELD-ON                         |
| 11   | 1803     | HITCH JACK (INCLUDES 9&10)<br>(NONFOLD)          |
| 12   | 108279   | PIN                                              |
| 13   | 108178   | DROPLEG FOR JACK - 8000LB                        |
| 14   | 1702     | U-BOLT 3/4NC X 6" X 6" - FOR<br>6"X4" TUBE HITCH |
|      | 89555    | U-BOLT 3/4NC X 6" X 8" - FOR<br>6"X6" TUBE HITCH |

| ITEM | PART NO. | DESCRIPTION                     |
|------|----------|---------------------------------|
| 15   | 352954   | JACK - 12KLB DROPLEG - FOLD     |
|      | 352791   | JACK - 12K W/ U-BOLTS - FOLD    |
| 16   | 1213     | 3/4" NUT                        |
| 17   | 107194   | 2-1/4" HOLE SPACING             |
|      | 104934   | 3" HOLE SPACING                 |
| 18   | 88110    | 3/4" NUT                        |
| 19   | 88130    | 3/4" LOCK WASHER                |
| 20   | 107193   | CAT 4 HITCH 2-1/4" HOLE SPACING |
|      | 104935   | CAT 4 HITCH 3" HOLE SPACING     |
| 21   | 104936   | CLEVIS -FOR TRANSPORT ONLY      |
| 22   | 88579    | BOLT - 3/4" X 5-1/2"            |
| 23   | 106053   | WASHER - 1" X 2"X 1/4"          |
| 24   | 109594   | 1" X 8" PIN                     |
| 25   | 88532    | 3/8" X 2" COTTER PIN            |

# UTILITY POLE

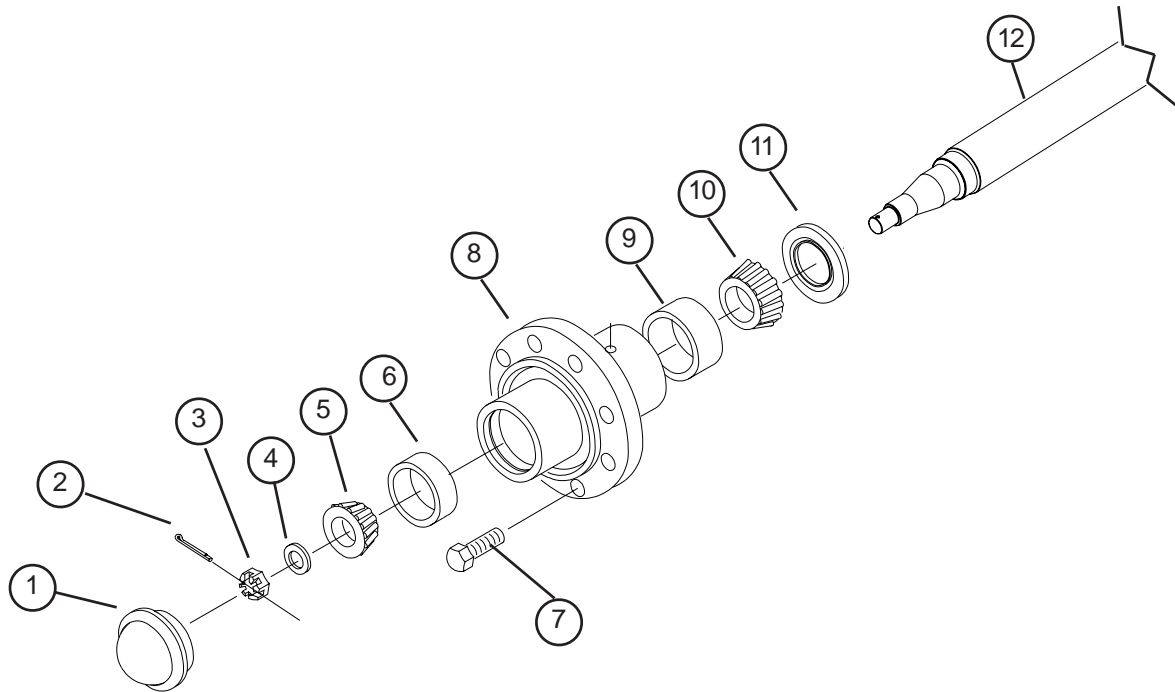


| ITEM | PART NO. | DESCRIPTION                            |
|------|----------|----------------------------------------|
| 1    | 236092   | RUBBER RING                            |
| 2    | 223329   | LIGHT PLUG HOLDER                      |
| 3    | 88203    | BOLT - 1/4" X 1"                       |
| 4    | 89406    | U-BOLT 3/8" X 6" X 5" - FOR 4"X6" TUBE |
|      | 244707   | 2 HOLE PLATE - FOR 6"X6" TUBE          |
|      | 89515    | BOLT - 3/8" X 7-1/2" - FOR 6"X6" TUBE  |
| 5    | 88282    | 3/8" FLAT WASHER                       |
| 6    | 88362    | 3/8" LOCK WASHER                       |
| 7    | 88103    | 3/8" NUT                               |
| 8    | 234313   | OPERATOR'S MANUAL TUBE                 |
| 9    | 88993    | BOLT - 1/4" X 3/4"                     |
| 10   | 88261    | 1/4" FLAT WASHER                       |
| 11   | 234313   | MANUAL TUBE HOLDER                     |
| 12   | 88172    | 1/4" NUT                               |
| 13   | 88262    | 1/4" LOCK WASHER                       |



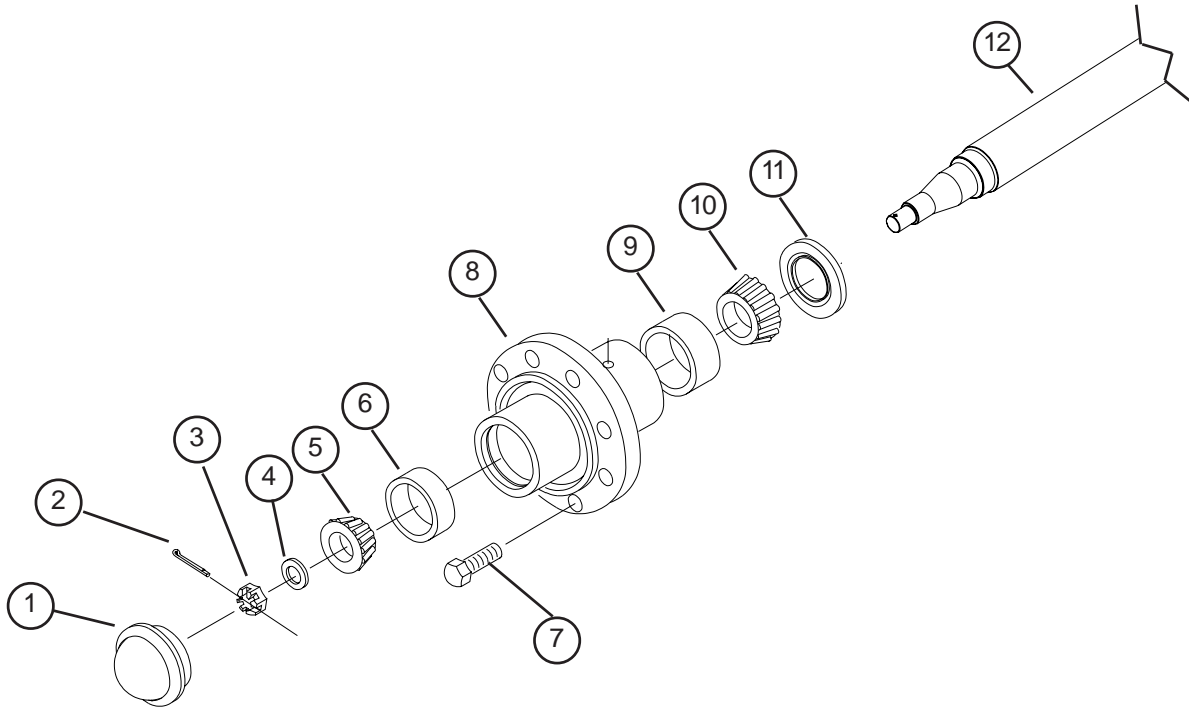
**THIS PAGE LEFT BLANK  
INTENTIONALLY**

## H611 - 6 BOLT HUB



| ITEM | PART NO. | DESCRIPTION                    |
|------|----------|--------------------------------|
| 1    | 1528     | DUST CAP (DC13) (2.45" DIA)    |
| 2    | 103586   | COTTER PIN - 3/16" X 1-1/2"    |
| 3    | 1531     | SPINDLE NUT - 1-14NF           |
| 4    | 1532     | SPINDLE WASHER - WA 17         |
| 5    | 1533     | OUTER BEARING (LM67048)        |
| 6    | 1536     | OUTER CUP (LM67010)            |
| 7    | 1551     | WHEEL BOLT - 1/2-20NF          |
| 8    | 1548     | HUB ONLY (INCLUDES CUPS)       |
|      | 1525     | COMPLETE HUB                   |
|      | 3078     | HUB REPAIR KIT (1,5,6,9,10,11) |
| 9    | 1539     | INNER CUP (LM29710)            |
| 10   | 1542     | INNER BEARING (LM29749)        |
| 11   | 1545     | DUST SEAL (193353-TA)          |
| 12   | 1972     | SPINDLE - 32"                  |
| -    | 88404    | 1/2" X 3-1/2" SPINDLE BOLT     |

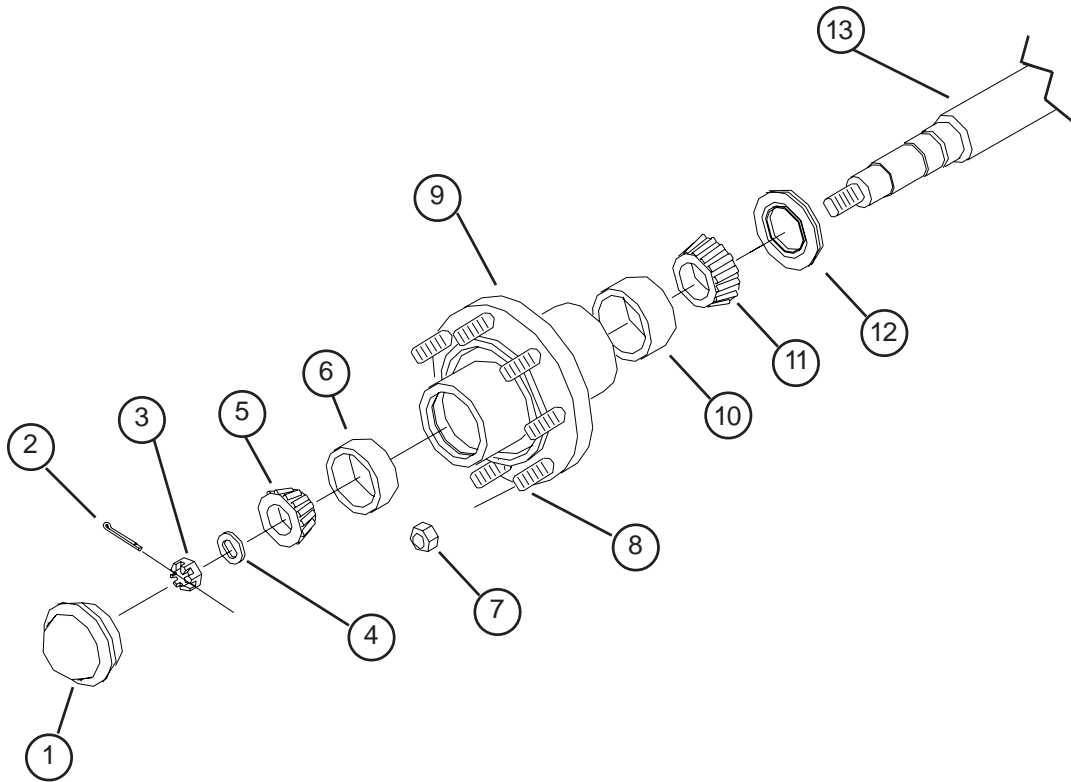
# H618 - 6 BOLT HUB



| ITEM | PART NO. | DESCRIPTION                    |
|------|----------|--------------------------------|
| 1    | 1529     | DUST CAP (DC15) (2.72 DIA)     |
| 2    | 103586   | COTTER PIN - 3/16" X 1-1/2     |
| 3    | 1531     | SPINDLE NUT - 1-14NF           |
| 4    | 1532     | SPINDLE WASHER - WA 17         |
| 5    | 1534     | OUTER BEARING (LM45548)        |
| 6    | 1537     | OUTER CUP (LM48510)            |
| 7    | 1552     | WHEEL BOLT- 9/16-18NF          |
| 8    | 1549     | HUB ONLY (INCLUDES CUPS)       |
|      | 1526     | COMPLETE HUB (H618)            |
|      | 3077     | HUB REPAIR KIT (1,5,6,9,10,11) |
| 9    | 1540     | INNER CUP (25520)              |
| 10   | 1543     | INNER BEARING (25580)          |
| 11   | 1546     | DUST SEAL (193353-TA)          |
| 12   | 1973     | SPINDLE - 37"                  |
| -    | 88404    | 1/2" X 3-1/2" SPINDLE BOLT     |

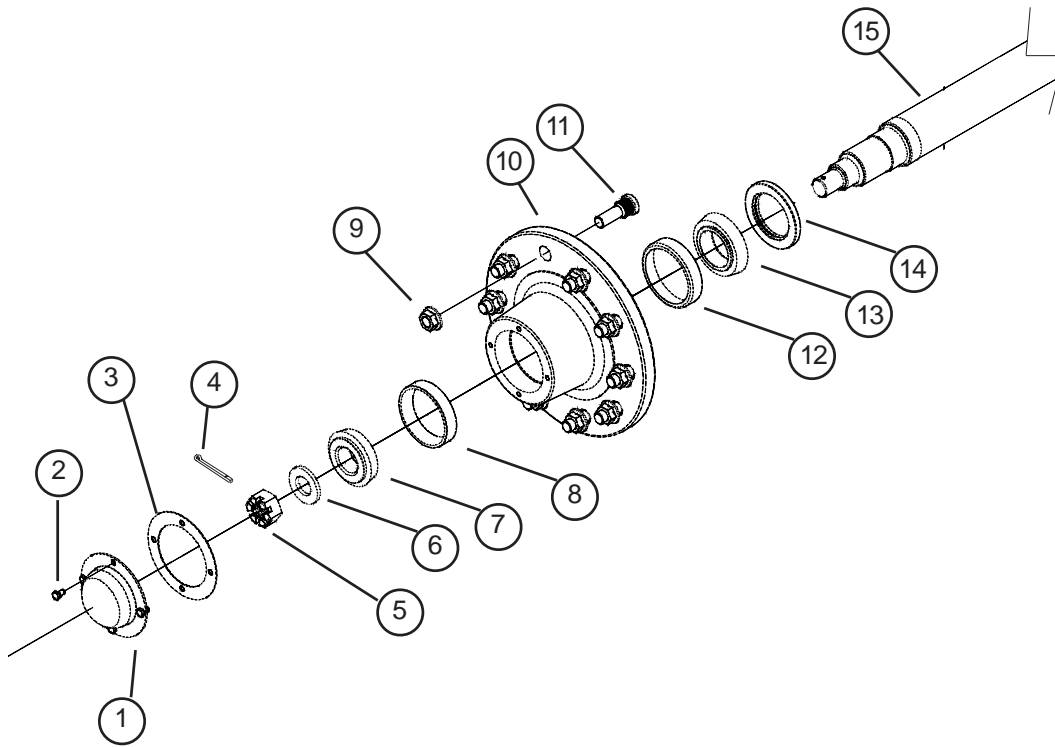


## 8 BOLT HUB



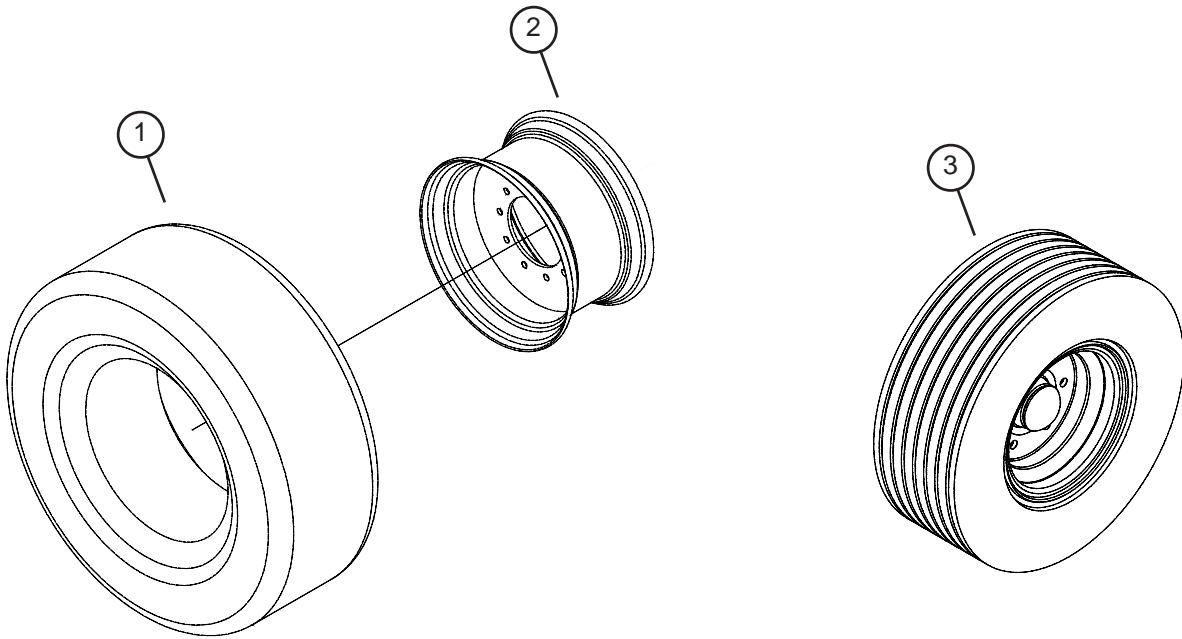
| ITEM | PART NO. | DESCRIPTION                     |
|------|----------|---------------------------------|
| 1    | 1530     | DUST CAP                        |
| 2    | 103586   | COTTER PIN - 3/16 X 1-1/2       |
| 3    | 1531     | SPINDLE NUT - 1-14NF            |
| 4    | 1532     | SPINDLE WASHER - WA 17          |
| 5    | 1535     | OUTER BEARING (2790)            |
| 6    | 1538     | OUTER CUP (2720)                |
| 7    | 103636   | STUD NUT 9/16 - 18NF            |
| 8    | 104213   | STUD BOLT 9/16 - 18NF           |
| 9    | 1550     | HUB ONLY (INCLUDES CUPS)        |
|      | 1527     | COMPLETE HUB                    |
|      | 242729   | HUB REPAIR KIT (1,5,6,10,11,12) |

# 10 BOLT HUB



| ITEM | PART NO. | DESCRIPTION                   |
|------|----------|-------------------------------|
| 1    | 106395   | DUST CAP                      |
| 2    | 106460   | BOLT - DUST CAP - 5/16 X 1/2  |
| 3    | 106459   | GASKET                        |
| 4    | 107663   | COTTER PIN - 1/4 X 2-1/2      |
| 5    | 106396   | SPINDLE NUT - 1-1/4 -12NF     |
| 6    | 106397   | SPINDLE WASHER - 3/8 X 3      |
| 7    | 106398   | OUTER BEARING (460)           |
| 8    | 106399   | OUTER CUP (453A)              |
| 9    | 106454   | STUD NUT 3/4 - 16NF FLANGE    |
| 10   | 106455   | HUB ONLY (INCLUDES CUPS)      |
|      | 106456   | COMPLETE HUB                  |
|      | 106457   | HUB REPAIR KIT (7,8,12,13,14) |
|      | 350015   | COMPLETE HUB AND SPINDLE ASSY |
| 11   | 106453   | STUD BOLT 3/4 - 16NF          |
| 12   | 106400   | INNER CUP (39520)             |
| 13   | 106451   | INNER BEARING (39585)         |
| 14   | 106452   | DUST SEAL (CR30087)           |
| 15   | W109508  | SINGLE END SPINDLE - 25"      |
|      | 106159   | DOUBLE END SPINDLE - 50"      |
|      | 106840   | SINGLE END SPINDLE - 34"      |
|      | 106933   | DOUBLE END SPINDLE - 44"      |
|      | 108630   | DOUBLE END SPINDLE - 39.5"    |
| -    | 88305    | 3/4" X 5" SPINDLE BOLT        |

## RIMS AND TIRES



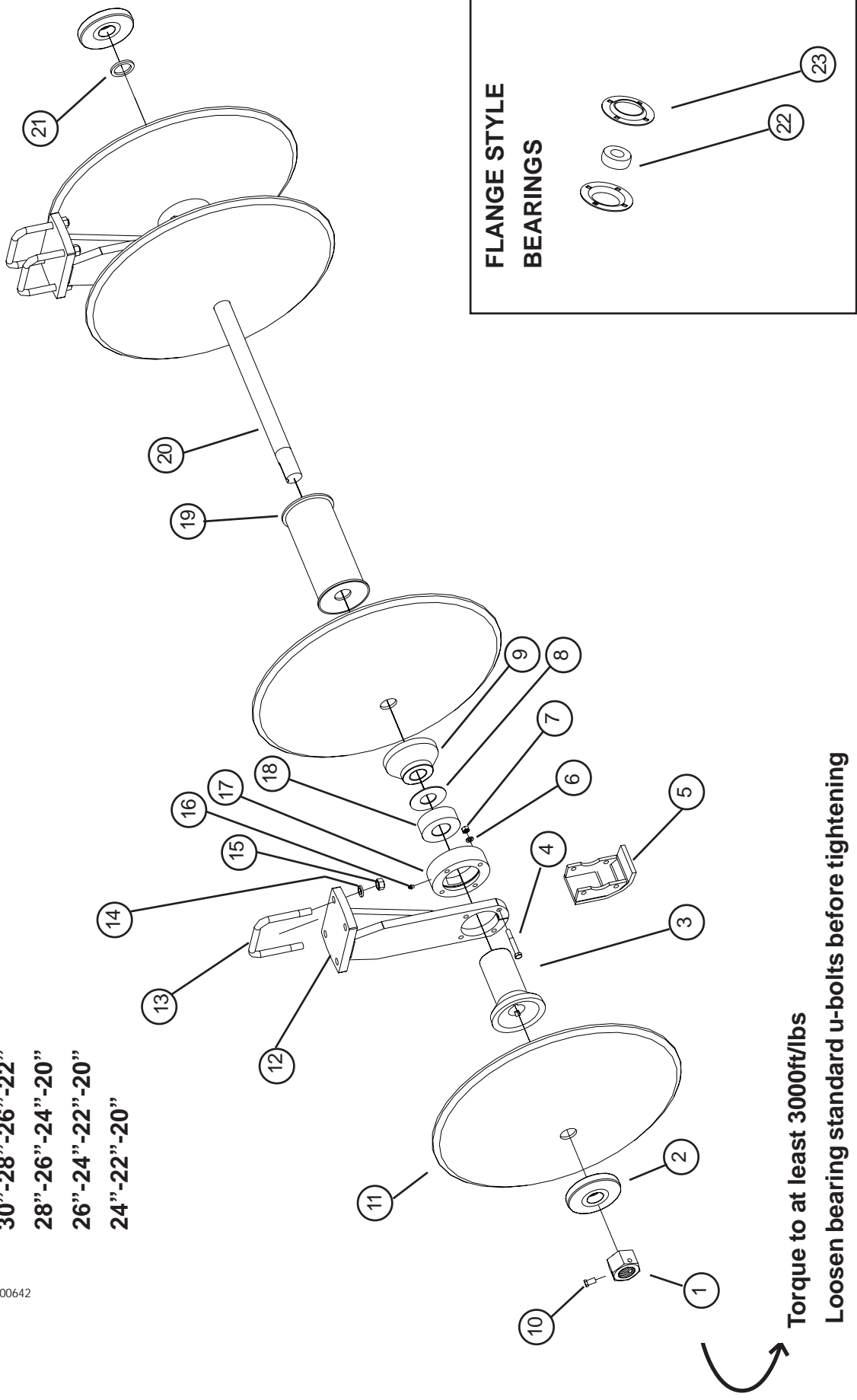
| ITEM   | PART NO. | DESCRIPTION                                                                       |
|--------|----------|-----------------------------------------------------------------------------------|
| 1      | 1520     | 11L X 15" TIRE                                                                    |
|        | 105314   | 12.5L X 15" TIRE                                                                  |
|        | 106013   | 385/65R22.5" TIRE                                                                 |
|        | 1523     | 40X14X16 - REPLACES 13.5/85X16 TIRE (SUBWAY TIRE)                                 |
|        | 104467   | TUBE FOR SUBWAY TIRE (NOT SHOWN)                                                  |
|        | 104468   | LINER FOR SUBWAY TIRE (NOT SHOWN)                                                 |
|        | 2        | 1804                                                                              |
| 104214 |          | RIM - 15" X 10" X 6HOLE (12.5L X 15")                                             |
| 105313 |          | RIM - 15" X 10" X 8HOLE (11L X 15")                                               |
| 106014 |          | RIM - 11.5" X 22.5 X 8HOLE (385/65R22.5)                                          |
| 107238 |          | RIM - 11.75" X 22.5" X 10HOLE (385/65R22.5)                                       |
| 3073   |          | SPLIT RIM 16" X 8 HOLE (13.5/85R16 OR 40X14X16 TIRE) -<br>SUBWAY TIRE             |
| 3      | 105282   | ASSY - 8 BOLT RIM W/12.5L X 15" TIRE                                              |
|        | 105247   | ASSY - 8 BOLT RIM, SPLIT W/40X14X16 TIRE -<br>REPLACES 13.5/85 X 16 (SUBWAY TIRE) |
|        | 106012   | ASSY - 8 BOLT RIM W/385/65R22.5 TIRE                                              |
|        | 107239   | ASSY - 10 BOLT RIM W/385/65R22.5 TIRE                                             |

**GANG, RIGID OR ROCK FLEX**

**NOTE: TAPERED/STEP-DOWN/LEVELING BLADE SIZING ON REAR GANG:**

- 30"-28"-26"-22"**
- 28"-26"-24"-20"**
- 26"-24"-22"-20"**
- 24"-22"-20"**

700642



**Torque to at least 3000ft/lbs**  
**Loosen bearing standard u-bolts before tightening**  
**Locate set bolt to gang shaft groove**

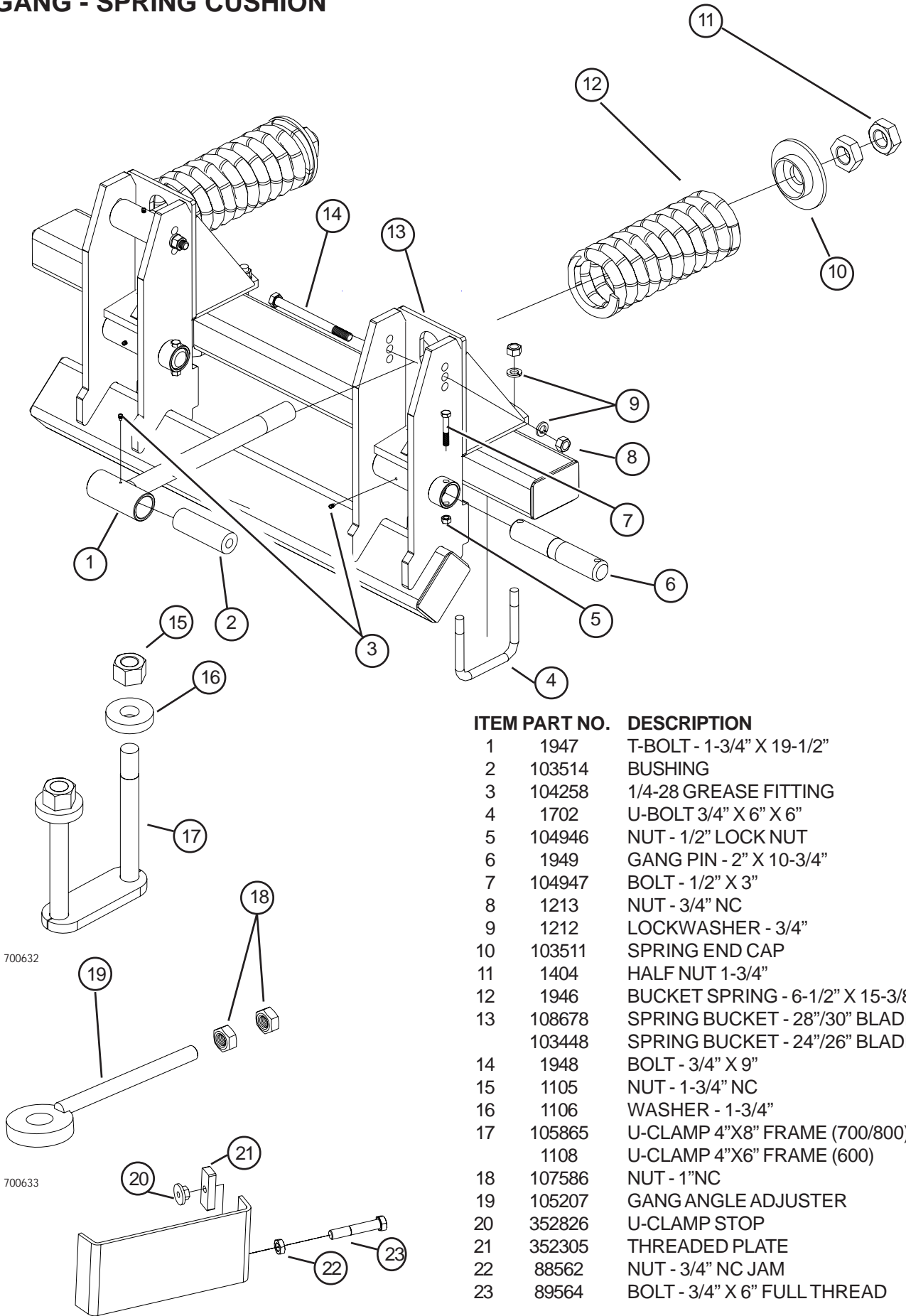
## GANG, RIGID OR ROCK FLEX

| ITEM | PART NO.    | DESCRIPTION                                         |
|------|-------------|-----------------------------------------------------|
| 1    | 1506-9-16   | 2 IN DRILLED NUTWITH SET SCREW                      |
| 2    | 106923      | END WASHER                                          |
| 3    | 107933      | 1/2 SPACER - 8-3/8" (13IN)                          |
|      | 105740      | 1/2 SPACER - 6-3/8" (11IN)                          |
|      | 106804      | 1/2 SPACER - 5-3/8" (10IN )                         |
|      | 1207        | 1/2 SPACER - 4-3/8" (9IN )                          |
| 4    | 88507       | BOLT - 1/2 - 3-1/2" NC                              |
|      | 88382       | BOLT - 1/2 - 4-1/2" NC (FOR USE WITH BEARING GUARD) |
| 5    | 109820      | BEARING GUARD - OPTIONAL                            |
| 6    | 88303       | LOCK WASHER - 1/2"                                  |
| 7    | 88104       | NUT - 1/2" NC                                       |
| 8    | 104884      | BEARING GUARD WASHER - OPTIONAL (2 PER BEARING)     |
| 9    | 105283      | CAST 1/2 SPACER - 2-3/4"                            |
| 10   | 89449       | SET BOLT - 9/16 X 1"                                |
| 11   | 107253      | 3/16" X 18" SMOOTH BLADE                            |
|      | 107270      | 1/4" X 20" SMOOTH BLADE                             |
|      | 142-22      | 1/4" X 22" SMOOTH BLADE                             |
|      | 516-24      | 5/16" X 24" SMOOTH BLADE                            |
|      | 104553      | 5/16" X 26" SMOOTH BLADE                            |
|      | 106075      | 5/16" X 28" SMOOTH BLADE                            |
|      | 106021      | 5/16" X 30" SMOOTH BLADE                            |
|      | 516-24N     | 5/16" X 24" NOTCHED BLADE                           |
|      | 105325      | 5/16" X 26" NOTCHED BLADE                           |
|      | 106100      | 5/16" X 28" NOTCHED BLADE                           |
|      | 105470      | 5/16" X 30" NOTCHED BLADE                           |
| 12   | 103504      | BEARING STANDARD (28/30 BLADE) - 16-3/4"            |
|      | 103500      | BEARING STANDARD (24/26 BLADE) - 14-1/2"            |
| 13   | 1702        | U-BOLT 3/4" 6X6                                     |
| 14   | 88130       | LOCKWASHER - 3/4"                                   |
| 15   | 88110       | NUT - 3/4NC                                         |
| 16   | 89447       | 1/8" NPT 90 DEGREE GREASE FITTING                   |
| 17   | 1103-214    | 214 BEARING HOUSING                                 |
| 18   | 1102-214    | 214 BEARING - 1-15/16" ID X 4.9" OD                 |
| -    | 1103-214-01 | BEARING ASSY (INCL 16, 17, 18)                      |
| 19   | 107670      | SPACER - 13" SPACING (12.5")                        |
|      | 1202        | SPACER - 11" SPACING (10.5")                        |
|      | 1203        | SPACER - 10" SPACING (9.5")                         |
|      | 1201        | SPACER - 9" SPACING (8.5")                          |
| 20   |             | GANG SHAFT -1-15/16" - SEE FOLLOWING PAGES          |
| 21   | 104274      | END WASHER (1/4")                                   |
| 22   | 1102-210    | 210 SERIES BEARING (1979 AND PRIOR)                 |
|      | 1102-211    | 211 SERIES BEARING (1980-1982)                      |
| 23   | 1103-90MS   | 210 BEARING FLANGE SET                              |
|      | 1103-100MS  | 211 BEARINGS FLANGE SET (1 W/GRS FTG, 1W/O)         |
| -    | 240799      | 460ep GREASE (10 PACK)                              |

**NOTE: FOR GANG SHAFT SIZES NOT SHOWN IN FOLLOWING PAGES,  
USE FORMULA BELOW:**

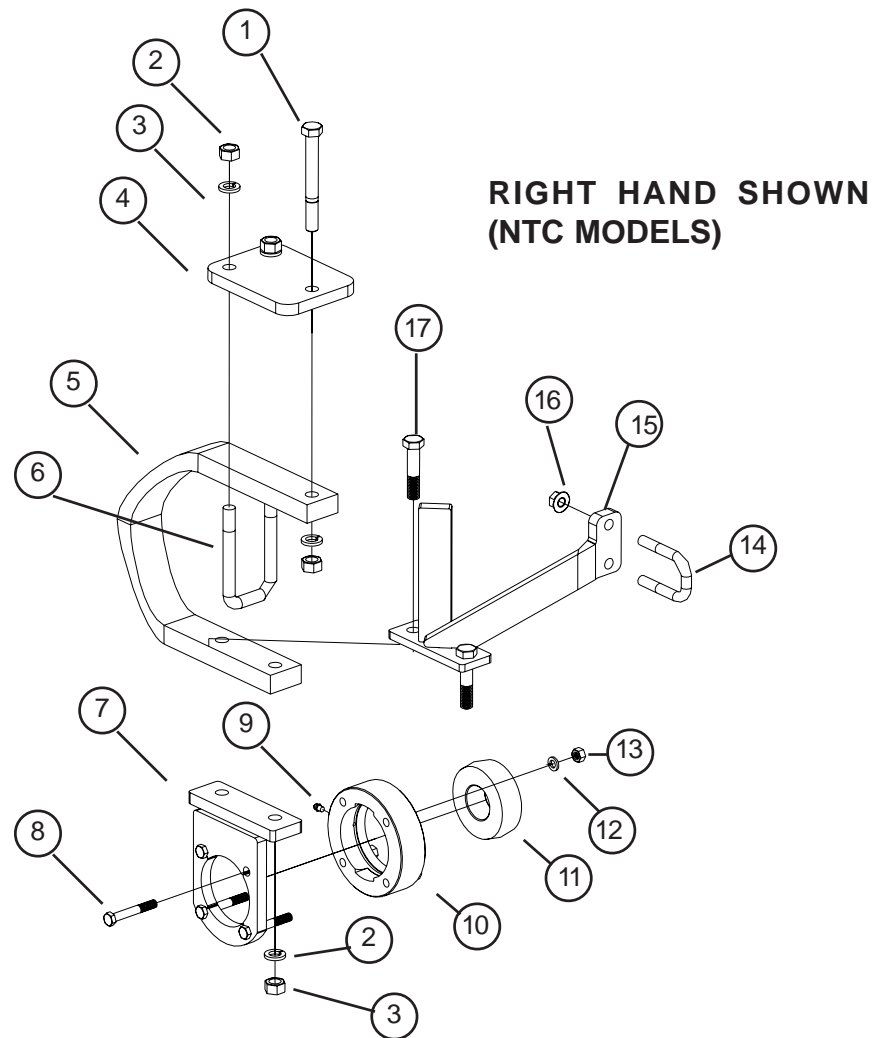
**(# BLADES - 1) X SPACING (IN INCHES) + 6" = GANG SHAFT LENGTH**

# GANG - SPRING CUSHION



| ITEM | PART NO. | DESCRIPTION                      |
|------|----------|----------------------------------|
| 1    | 1947     | T-BOLT - 1-3/4" X 19-1/2"        |
| 2    | 103514   | BUSHING                          |
| 3    | 104258   | 1/4-28 GREASE FITTING            |
| 4    | 1702     | U-BOLT 3/4" X 6" X 6"            |
| 5    | 104946   | NUT - 1/2" LOCK NUT              |
| 6    | 1949     | GANG PIN - 2" X 10-3/4"          |
| 7    | 104947   | BOLT - 1/2" X 3"                 |
| 8    | 1213     | NUT - 3/4" NC                    |
| 9    | 1212     | LOCKWASHER - 3/4"                |
| 10   | 103511   | SPRING END CAP                   |
| 11   | 1404     | HALF NUT 1-3/4"                  |
| 12   | 1946     | BUCKET SPRING - 6-1/2" X 15-3/8" |
| 13   | 108678   | SPRING BUCKET - 28"/30" BLADES   |
|      | 103448   | SPRING BUCKET - 24"/26" BLADES   |
| 14   | 1948     | BOLT - 3/4" X 9"                 |
| 15   | 1105     | NUT - 1-3/4" NC                  |
| 16   | 1106     | WASHER - 1-3/4"                  |
| 17   | 105865   | U-CLAMP 4"X8" FRAME (700/800)    |
|      | 1108     | U-CLAMP 4"X6" FRAME (600)        |
| 18   | 107586   | NUT - 1"NC                       |
| 19   | 105207   | GANG ANGLE ADJUSTER              |
| 20   | 352826   | U-CLAMP STOP                     |
| 21   | 352305   | THREADED PLATE                   |
| 22   | 88562    | NUT - 3/4" NC JAM                |
| 23   | 89564    | BOLT - 3/4" X 6" FULL THREAD     |

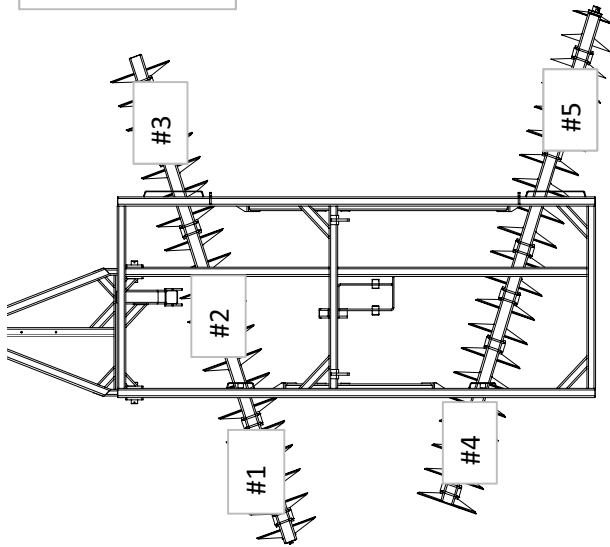
# GANG, CUSHION



| ITEM | PART NO. | DESCRIPTION                |
|------|----------|----------------------------|
| 1    | 89130    | 3/4" X 6-1/2" BOLT         |
| 2    | 88110    | 3/4" NUT                   |
| 3    | 88130    | 3/4" LOCK WASHER           |
| 4    | 102294   | C-SPRING PLATE             |
| 5    | 102173   | LH C-SPRING                |
|      | 102174   | RH C-SPRING                |
| 6    | 102228   | 3/4" X 2-9/16" X 6" U-BOLT |
| 7    | 109360   | BEARING ST WELD            |
| 8    | 88507    | 1/2" X 3-1/2" BOLT         |
| 9    | 88528    | GREASE FITTING - 1/8NPT    |
| 10   | 1103-214 | 214 SERIES BEARING HOUSING |
| 11   | 1102-214 | 214 SERIES BEARING         |
| 12   | 88303    | 1/2" LOCK WASHER           |
| 13   | 88104    | 1/2" NUT                   |
| 14   | 106084   | 5/8" X 2" X 3-7/8" U-BOLT  |
| 15   | 354981   | LH SCRAPER BRACKET         |
|      | 354982   | RH SCRAPER BRACKET         |
| 16   | 89448    | 5/8" FLANGE NUT            |
| 17   | 88111    | 3/4" X 3-1/2" BOLT         |

# GANG SHAFTS

## 612N NON-FOLDING GANGSHAFT



SIZE ACCORDING TO SERIAL  
NUMBER

S/N - \_ \_ \_ \_ \_ \_ \_ \_ \_ \_ □ □ <-- see note below

□ □ = SIZE (EX: 22 - 22FT)

Ex. S/N: 115091122

NOTE: SOME DISCS HAVE FEWER GANGS.

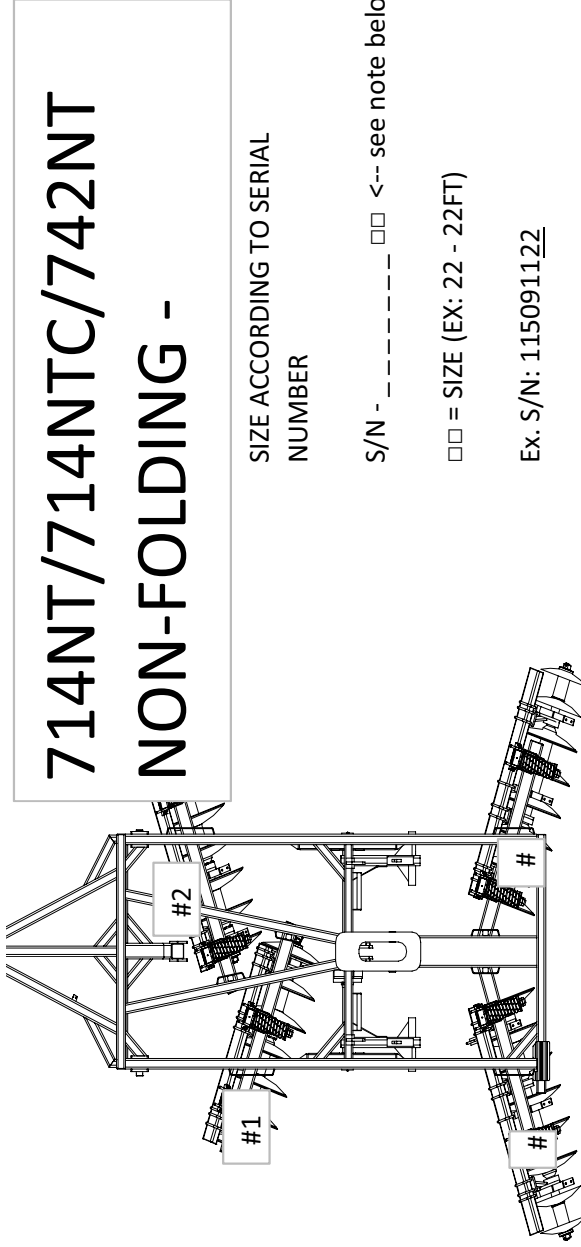
**Model: 612N NON-FOLDING**

| Size | # 1       | # 2 | # 3       | # 4      | # 5       |
|------|-----------|-----|-----------|----------|-----------|
| 12   | W1502-77  | --- | W1502-77  | W1502-57 | W1502-107 |
| 14   | W1502-87  | --- | W1502-87  | W1502-67 | W1502-117 |
| 16   | W1502-98  | --- | W1502-98  | W1502-77 | W1502-127 |
| 18   | W1502-108 | --- | W1502-108 | W1502-87 | W1502-137 |

**Model: 642N NON-FOLDING**

| Size | # 1      | # 2      | # 3      | # 4       | # 5       |
|------|----------|----------|----------|-----------|-----------|
| 12   | W1502-86 | ---      | W1502-77 | W1502-76  | W1502-95  |
| 14   | W1502-56 | W1502-56 | W1502-56 | W1502-86  | W1502-95  |
| 16   | W1502-66 | W1502-56 | W1502-66 | W1502-96  | W1502-106 |
| 18   | W1502-76 | W1502-56 | W1502-76 | W1502-106 | W1502-115 |





**Model: 714NT NON-FOLDING**

| Size | #1       | #2       | #3        | #4        |
|------|----------|----------|-----------|-----------|
| 12   | W1502-67 | W1502-67 | W1502-76  | W1502-76  |
| 14   | W1502-77 | W1502-77 | W1502-86  | W1502-86  |
| 16   | W1502-87 | W1502-87 | W1502-96  | W1502-96  |
| 18   | W1502-98 | W1502-98 | W1502-107 | W1502-107 |

**Model: 714NTC NON-FOLDING**

| Size | #1       | #2       | #3        | #4        |
|------|----------|----------|-----------|-----------|
| 12   | W1502-67 | W1502-67 | W1502-76  | W1502-76  |
| 14   | W1502-77 | W1502-77 | W1502-86  | W1502-86  |
| 16   | W1502-87 | W1502-87 | W1502-96  | W1502-96  |
| 18   | W1502-98 | W1502-98 | W1502-107 | W1502-107 |

**Model: 742NT NON-FOLDING**

| Size | #1       | #2       | #3        | #4        |
|------|----------|----------|-----------|-----------|
| 12   | W1502-67 | W1502-67 | W1502-76  | W1502-76  |
| 14   | W1502-77 | W1502-77 | W1502-86  | W1502-86  |
| 16   | W1502-87 | W1502-87 | W1502-96  | W1502-96  |
| 18   | W1502-98 | W1502-98 | W1502-107 | W1502-107 |

# GANG SHAFTS

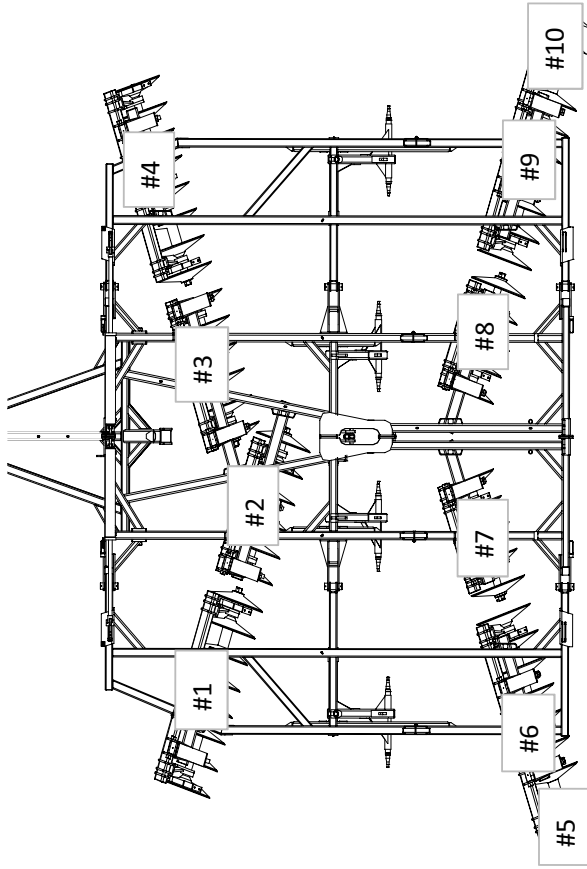
## 714NT/714NTC/ 742NT FOLDING -

SIZE ACCORDING TO SERIAL  
NUMBER

S/N - ----- □□ <-- see note below

□□ = SIZE (EX: 22 - 22FT)

Ex. S/N: 115091122



### Model: 714NT FOLDING

| Size | #1       | #2       | #3       | #4       | #5        | #6       | #7       | #8       | #9       | #10       |
|------|----------|----------|----------|----------|-----------|----------|----------|----------|----------|-----------|
| 24   | W1502-77 | W1502-67 | W1502-67 | W1502-77 | W1502-96  | ---      | W1502-57 | W1502-57 | ---      | W1502-96  |
| 26   | W1502-88 | W1502-67 | W1502-67 | W1502-88 | W1502-107 | ---      | W1502-57 | W1502-57 | ---      | W1502-107 |
| 30   | W1502-98 | W1502-77 | W1502-77 | W1502-98 | W1502-76  | W1502-47 | W1502-57 | W1502-57 | W1502-47 | W1502-76  |

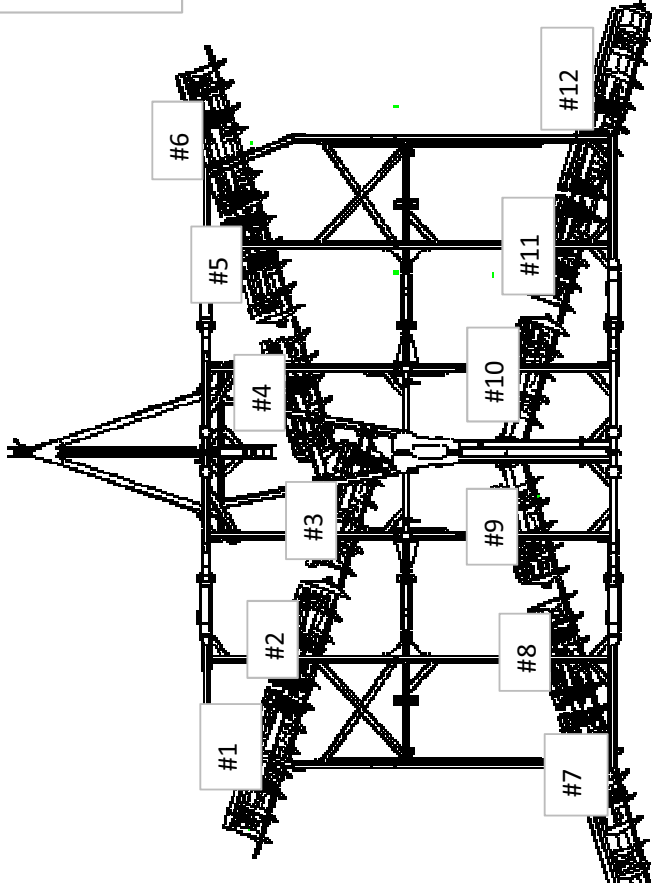
### Model: 714NTC FOLDING

| Size | #1       | #2       | #3       | #4       | #5        | #6       | #7       | #8       | #9       | #10       |
|------|----------|----------|----------|----------|-----------|----------|----------|----------|----------|-----------|
| 24   | W1502-77 | W1502-67 | W1502-67 | W1502-77 | W1502-96  | ---      | W1502-57 | W1502-57 | ---      | W1502-96  |
| 26   | W1502-88 | W1502-67 | W1502-67 | W1502-88 | W1502-107 | ---      | W1502-57 | W1502-57 | ---      | W1502-107 |
| 30   | W1502-98 | W1502-77 | W1502-77 | W1502-98 | W1502-76  | W1502-47 | W1502-57 | W1502-57 | W1502-47 | W1502-76  |

### Model: 742NT FOLDING

| Size | #1       | #2       | #3       | #4       | #5        | #6  | #7       | #8       | #9  | #10       |
|------|----------|----------|----------|----------|-----------|-----|----------|----------|-----|-----------|
| 24   | W1502-67 | W1502-77 | W1502-77 | W1502-67 | W1502-96  | --- | W1502-57 | W1502-57 | --- | W1502-96  |
| 26   | W1502-77 | W1502-77 | W1502-77 | W1502-77 | W1502-107 | --- | W1502-57 | W1502-57 | --- | W1502-107 |
| 30   | W1502-98 | W1502-77 | W1502-77 | W1502-98 | W1502-127 | --- | W1502-57 | W1502-57 | --- | W1502-127 |

# 714LNT/714LNTC/742NT FOLDING - GANGSHAFT



SIZE ACCORDING TO SERIAL  
NUMBER

S/N - ----- □□ <-- see note below

□□ = SIZE (EX: 22 - 22FT)

Ex. S/N: 115091122

## Model: 714LNT FOLDING

| Size | #1       | #2       | #3       | #4       | #5       | #6       | #7       | #8       | #9       | #10      | #11      | #12      |
|------|----------|----------|----------|----------|----------|----------|----------|----------|----------|----------|----------|----------|
| 34   | W1502-67 | W1502-37 | W1502-98 | W1502-98 | W1502-37 | W1502-67 | W1502-86 | W1502-47 | W1502-77 | W1502-77 | W1502-47 | W1502-86 |
| 38   | W1502-77 | W1502-47 | W1502-98 | W1502-98 | W1402-47 | W1502-77 | W1502-97 | W1502-57 | W1502-77 | W1502-77 | W1502-57 | W1502-97 |

## Model: 714LNTC FOLDING

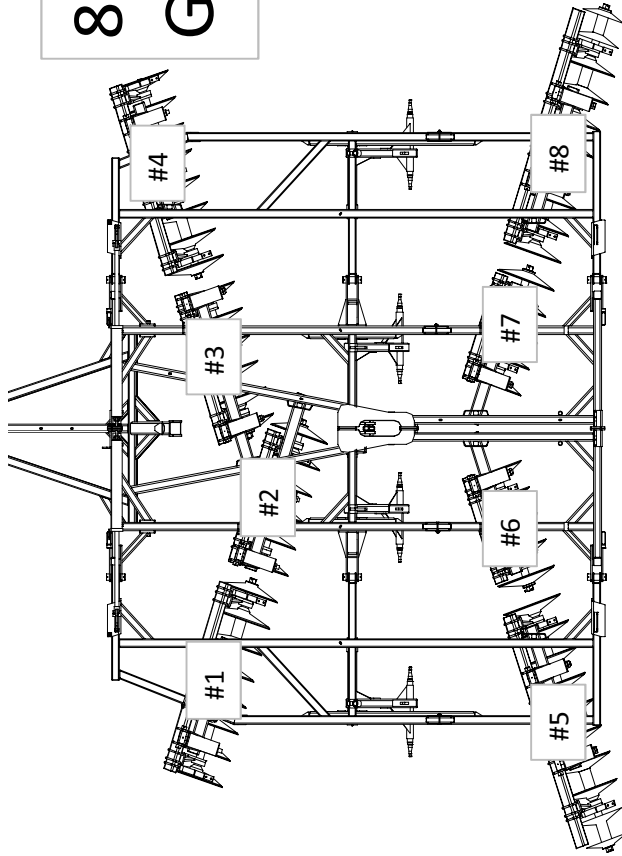
| Size | #1       | #2       | #3       | #4       | #5       | #6       | #7       | #8       | #9       | #10      | #11      | #12      |
|------|----------|----------|----------|----------|----------|----------|----------|----------|----------|----------|----------|----------|
| 34   | W1502-67 | W1502-37 | W1502-98 | W1502-98 | W1502-37 | W1502-67 | W1502-86 | W1502-47 | W1502-77 | W1502-77 | W1502-47 | W1502-86 |
| 38   | W1502-77 | W1502-47 | W1502-98 | W1502-98 | W1502-47 | W1502-77 | W1502-97 | W1502-57 | W1502-77 | W1502-77 | W1502-57 | W1502-97 |

## Model: 742LNT FOLDING

| Size | #1       | #2       | #3       | #4       | #5       | #6       | #7        | #8       | #9       | #10      | #11      | #12       |
|------|----------|----------|----------|----------|----------|----------|-----------|----------|----------|----------|----------|-----------|
| 34   | W1502-67 | W1502-37 | W1502-98 | W1502-98 | W1502-37 | W1502-67 | W1502-86  | W1502-47 | W1502-77 | W1502-77 | W1502-47 | W1502-86  |
| 38   | W1502-88 | W1502-37 | W1502-98 | W1502-98 | W1502-37 | W1502-88 | W1502-107 | W1502-47 | W1502-77 | W1502-77 | W1502-47 | W1502-107 |

# GANG SHAFTS

## 862NT/816NT FOLDING GANGSHAFT



SIZE ACCORDING TO SERIAL  
NUMBER

S/N - ---- □ □ <-- see note below

□ □ = SIZE (EX: 22 - 22FT)

Ex. S/N: 115091122

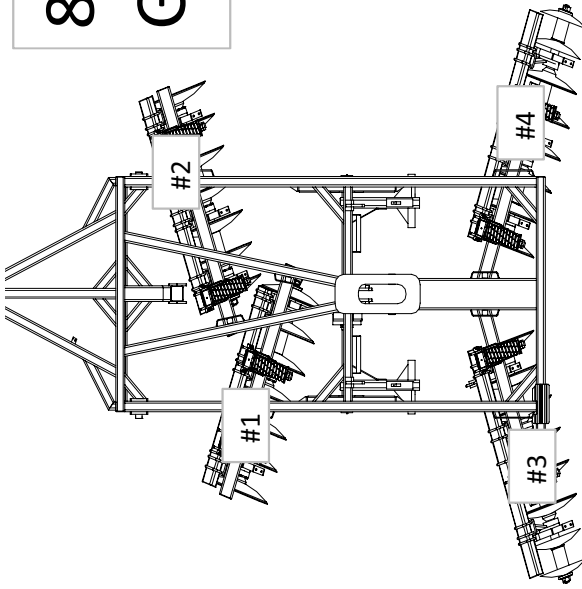
### Model: 862NT FOLDING

| Size | # 1      | # 2      | # 3      | # 4      | # 5       | # 6      | # 7      | # 8       |
|------|----------|----------|----------|----------|-----------|----------|----------|-----------|
| 22   | W1502-47 | W1502-73 | W1502-73 | W1502-47 | W1502-84  | W1502-47 | W1502-47 | W1502-84  |
| 26   | W1502-73 | W1502-73 | W1502-73 | W1502-73 | W1502-97  | W1502-60 | W1502-60 | W1502-97  |
| 30   | W1502-99 | W1502-73 | W1502-73 | W1502-99 | W1502-123 | W1502-60 | W1502-60 | W1502-123 |

### Model: 816NT FOLDING

| Size | # 1      | # 2      | # 3      | # 4      | # 5       | # 6      | # 7      | # 8       |
|------|----------|----------|----------|----------|-----------|----------|----------|-----------|
| 22   | W1502-60 | W1502-60 | W1502-60 | W1502-60 | W1502-84  | W1502-47 | W1502-47 | W1502-84  |
| 30   | W1502-99 | W1502-73 | W1502-73 | W1502-99 | W1502-123 | W1502-60 | W1502-60 | W1502-123 |

# 862NT/816NT NON-FOLDING GANGSHAFT



SIZE ACCORDING TO SERIAL  
NUMBER

S/N - \_ \_ \_ \_ \_ \_ \_ \_ \_ \_ □ □ <-- see note below

□ □ = SIZE (EX: 22 - 22FT)

Ex. S/N: 115091122

**Model: 862NT NON-FOLDING**

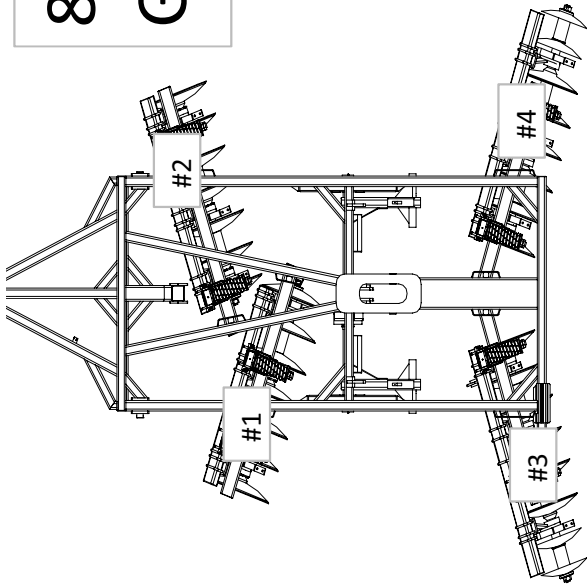
| Size | #1       | #2       | #3       | #4       |
|------|----------|----------|----------|----------|
| 14   | W1502-73 | W1502-73 | W1502-84 | W1502-84 |
| 16   | W1502-86 | W1502-86 | W1502-97 | W1502-97 |

**Model: 816NT NON-FOLDING**

| Size | #1       | #2       | #3       | #4       |
|------|----------|----------|----------|----------|
| 14   | W1502-73 | W1502-73 | W1502-84 | W1502-84 |
| 16   | W1502-86 | W1502-86 | W1502-97 | W1502-97 |

# GANG SHAFTS

## 842NT/814NT NON-FOLDING GANGSHAFT



SIZE ACCORDING TO SERIAL  
NUMBER

S/N - \_\_\_\_\_ □□ ←-- see note below

□□ = SIZE (EX: 22 - 22FT)

Ex. S/N: 115091122

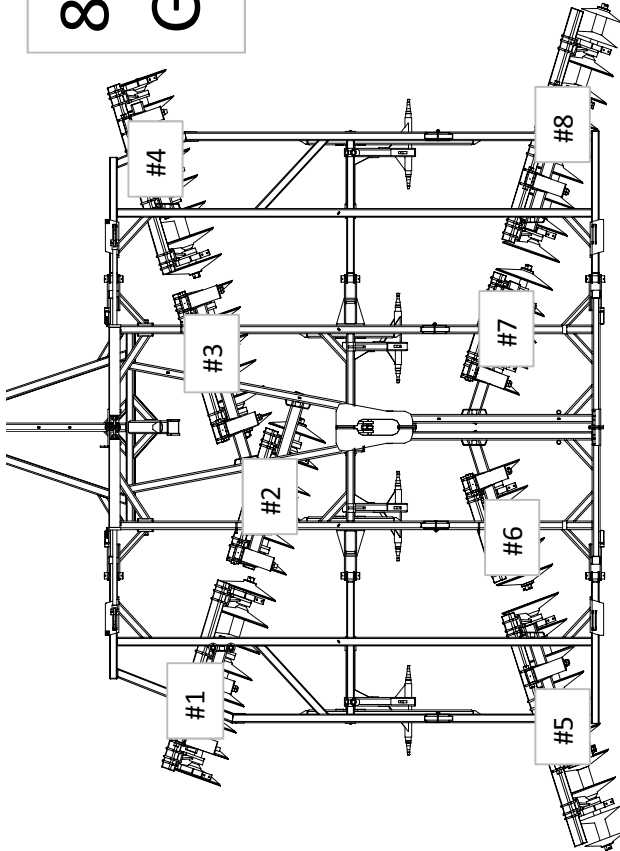
### Model: 842NT NON-FOLDING

| Size | # 1      | # 2      | # 3      | # 4      |
|------|----------|----------|----------|----------|
| 14   | W1502-74 | W1502-74 | W1502-84 | W1502-84 |
| 16   | W1502-85 | W1502-85 | W1502-95 | W1502-95 |

### Model: 814NT NON-FOLDING

| Size | # 1      | # 2      | # 3       | # 4       |
|------|----------|----------|-----------|-----------|
| 14   | W1502-74 | W1502-74 | W1502-84  | W1502-84  |
| 16   | W1502-85 | W1502-85 | W1502-95  | W1502-95  |
| 18   | W1502-96 | W1502-96 | W1502-106 | W1502-106 |

# 842NT/814NT FOLDING GANGSHAFT



SIZE ACCORDING TO SERIAL  
NUMBER

S/N - ----- □□ <-- see note below

□□ = SIZE (EX: 22 - 22FT)

Ex. S/N: 115091122

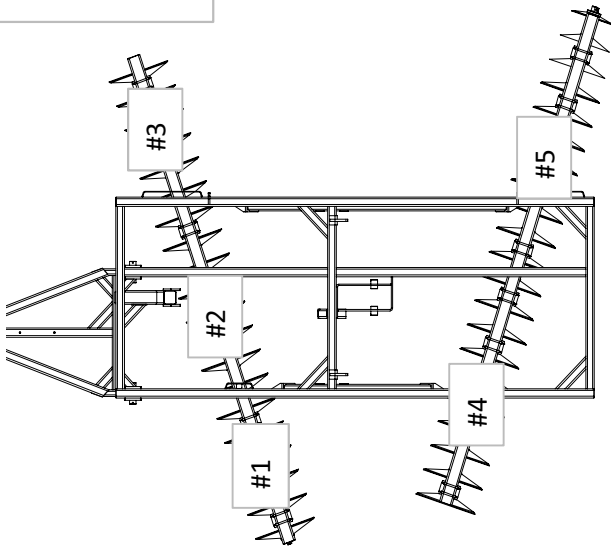
**Model: 842NT FOLDING**

| Size | # 1      | # 2      | # 3      | # 4      | # 5       | # 6      | # 7      | # 8       |
|------|----------|----------|----------|----------|-----------|----------|----------|-----------|
| 22   | W1502-63 | W1502-63 | W1502-63 | W1502-63 | W1502-84  | W1502-52 | W1502-52 | W1502-84  |
| 24   | W1502-74 | W1502-63 | W1502-63 | W1502-74 | W1502-95  | W1502-52 | W1502-52 | W1502-95  |
| 26   | W1502-74 | W1502-74 | W1502-74 | W1502-74 | W1502-95  | W1502-63 | W1502-63 | W1502-95  |
| 30   | W1502-96 | W1502-74 | W1502-74 | W1502-96 | W1502-117 | W1502-63 | W1502-63 | W1502-117 |

**Model: 814NT FOLDING**

| Size | # 1      | # 2      | # 3      | # 4      | # 5       | # 6      | # 7      | # 8       |
|------|----------|----------|----------|----------|-----------|----------|----------|-----------|
| 24   | W1502-63 | W1502-74 | W1502-74 | W1502-63 | W1502-84  | W1502-63 | W1502-63 | W1502-84  |
| 26   | W1502-74 | W1502-74 | W1502-74 | W1502-74 | W1502-95  | W1502-63 | W1502-63 | W1502-95  |
| 30   | W1502-85 | W1502-85 | W1502-85 | W1502-85 | W1502-117 | W1502-63 | W1502-63 | W1502-117 |

# 842N/812N NON-FOLDING GANGSHAFT



SIZE ACCORDING TO SERIAL  
NUMBER

S/N - \_\_\_\_\_ □□ <-- see note below

□□ = SIZE (EX: 22 - 22FT)

Ex. S/N: 115091122

NOTE: SOME DISCS HAVE FEWER GANGS.

**Model: 842N NON-FOLDING**

| Size | #1       | #2       | #3       | #4        | #5        |
|------|----------|----------|----------|-----------|-----------|
| 10   | W1502-63 | ---      | W1502-63 | W1502-63  | W1502-73  |
| 12   | W1502-74 | ---      | W1502-74 | W1502-74  | W1502-84  |
| 14   | W1502-52 | W1502-63 | W1502-52 | W1502-85  | W1502-95  |
| 16   | W1502-63 | W1502-63 | W1502-63 | W1502-96  | W1502-106 |
| 18   | W1502-74 | W1502-63 | W1502-74 | W1502-107 | W1502-117 |

**Model: 812N NON-FOLDING**

| Size | #1        | #2  | #3        | #4        | #5        |
|------|-----------|-----|-----------|-----------|-----------|
| 10   | W1502-63  | --- | W1502-63  | W1502-52  | W1502-84  |
| 12   | W1502-63  | --- | W1502-85  | W1502-52  | W1502-106 |
| 14   | W1502-85  | --- | W1502-85  | W1502-85  | W1502-95  |
| 16   | W1502-96  | --- | W1502-96  | W1502-96  | W1502-106 |
| 18   | W1502-107 | --- | W1502-107 | W1502-107 | W1502-117 |



# 862N NON-FOLDING GANGSHAFT

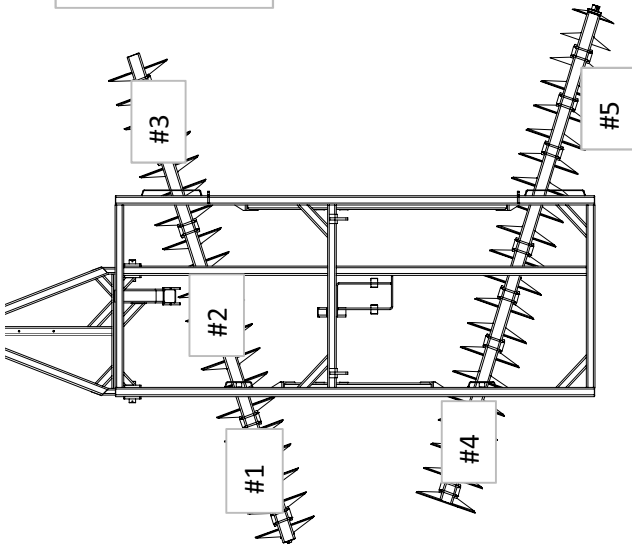
SIZE ACCORDING TO SERIAL  
NUMBER

S/N - ----- □□ <-- see note below

□□ = SIZE (EX: 22 - 22FT)

Ex. S/N: 115091122

NOTE: SOME DISCS HAVE FEWER GANGS.



Model: 862N NON-FOLDING

| Size | # 1      | # 2      | # 3      | # 4       | # 5       |
|------|----------|----------|----------|-----------|-----------|
| 12   | W1502-73 | ---      | W1502-73 | W1502-73  | W1502-84  |
| 14   | W1502-47 | W1502-60 | W1502-60 | W1502-86  | W1502-97  |
| 16   | W1502-60 | W1502-60 | W1502-73 | W1502-99  | W1502-110 |
| 18   | W1502-72 | W1502-59 | W1502-85 | W1502-112 | W1502-123 |

# GANG SHAFTS

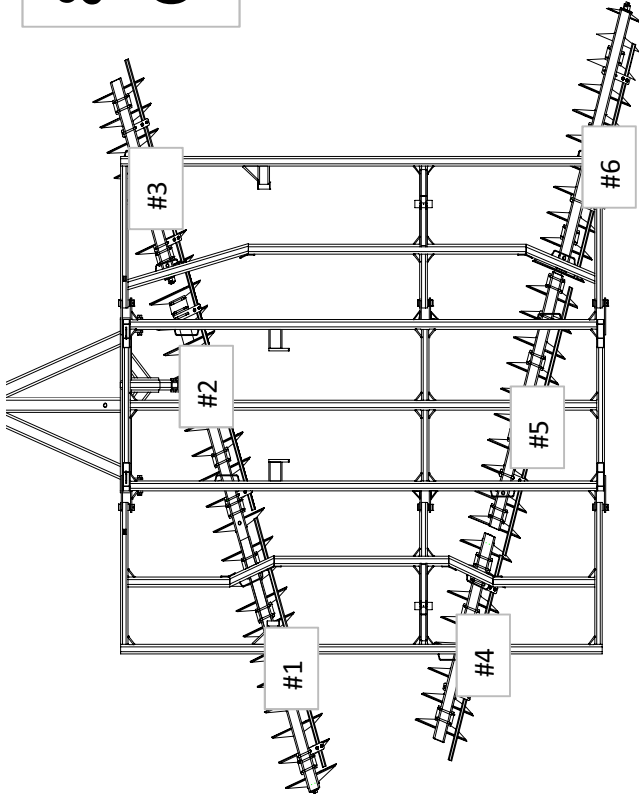
## 812N FOLDING GANGSHAFT

SIZE ACCORDING TO SERIAL  
NUMBER

S/N - ---- □□ <-- see note below

□□ = SIZE (EX: 22 - 22FT)

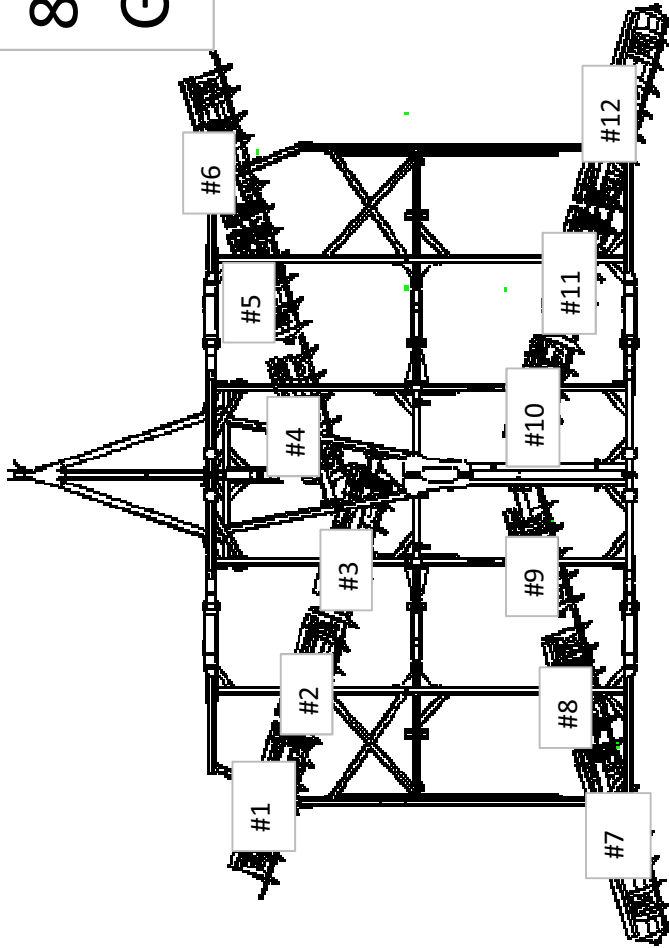
Ex. S/N: 115091122



Model: 812N FOLDING

| Size | #1        | #2        | #3       | #4       | #5        | #6        |
|------|-----------|-----------|----------|----------|-----------|-----------|
| 22   | W1502-85  | W1502-107 | W1502-63 | W1502-63 | W1502-118 | W1502-84  |
| 24   | W1502-96  | W1502-107 | W1502-74 | W1502-74 | W1502-118 | W1502-95  |
| 26   | W1502-107 | W1502-107 | W1502-85 | W1502-85 | W1502-118 | W1502-106 |

# 862LNT/842LNT FOLDING - GANGSHAFT



SIZE ACCORDING TO SERIAL  
NUMBER

S/N - ----- □□ <-- see note below

□□ = SIZE (EX: 22 - 22FT)

Ex. S/N: 115091122

## Model: 862LNT FOLDING

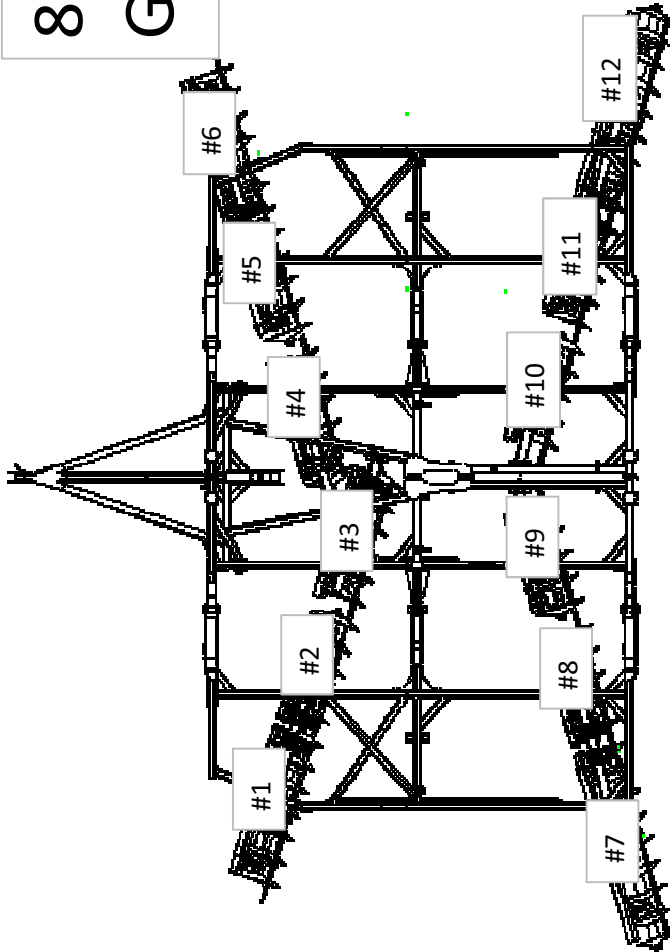
| Size | #1       | #2       | #3       | #4       | #5       | #6       | #7        | #8       | #9       | #10      | #11      | #12       |
|------|----------|----------|----------|----------|----------|----------|-----------|----------|----------|----------|----------|-----------|
| 34   | W1502-60 | W1502-60 | W1502-73 | W1502-73 | W1502-60 | W1502-60 | W1502-84  | W1502-60 | W1502-60 | W1502-60 | W1502-60 | W1502-84  |
| 38   | W1502-73 | W1502-73 | W1502-73 | W1502-73 | W1502-73 | W1502-73 | W1502-110 | W1502-60 | W1502-60 | W1502-60 | W1502-60 | W1502-110 |

## Model: 842LNT FOLDING

| Size | #1       | #2       | #3       | #4       | #5       | #6       | #7        | #8       | #9       | #10      | #11      | #12       |
|------|----------|----------|----------|----------|----------|----------|-----------|----------|----------|----------|----------|-----------|
| 34   | W1502-52 | W1502-63 | W1502-74 | W1502-74 | W1502-63 | W1502-52 | W1502-73  | W1502-63 | W1502-63 | W1502-63 | W1502-63 | W1502-73  |
| 38   | W1502-74 | W1502-74 | W1502-74 | W1502-74 | W1502-74 | W1502-74 | W1502-106 | W1502-63 | W1502-63 | W1502-63 | W1502-63 | W1502-106 |

## GANG SHAFTS

# 816LNT/814LNT FOLDING - GANGSHAFT



SIZE ACCORDING TO SERIAL  
NUMBER

S/N - ----- □□ <-- see note below

□□ = SIZE (EX: 22 - 22FT)

Ex. S/N: 115091122

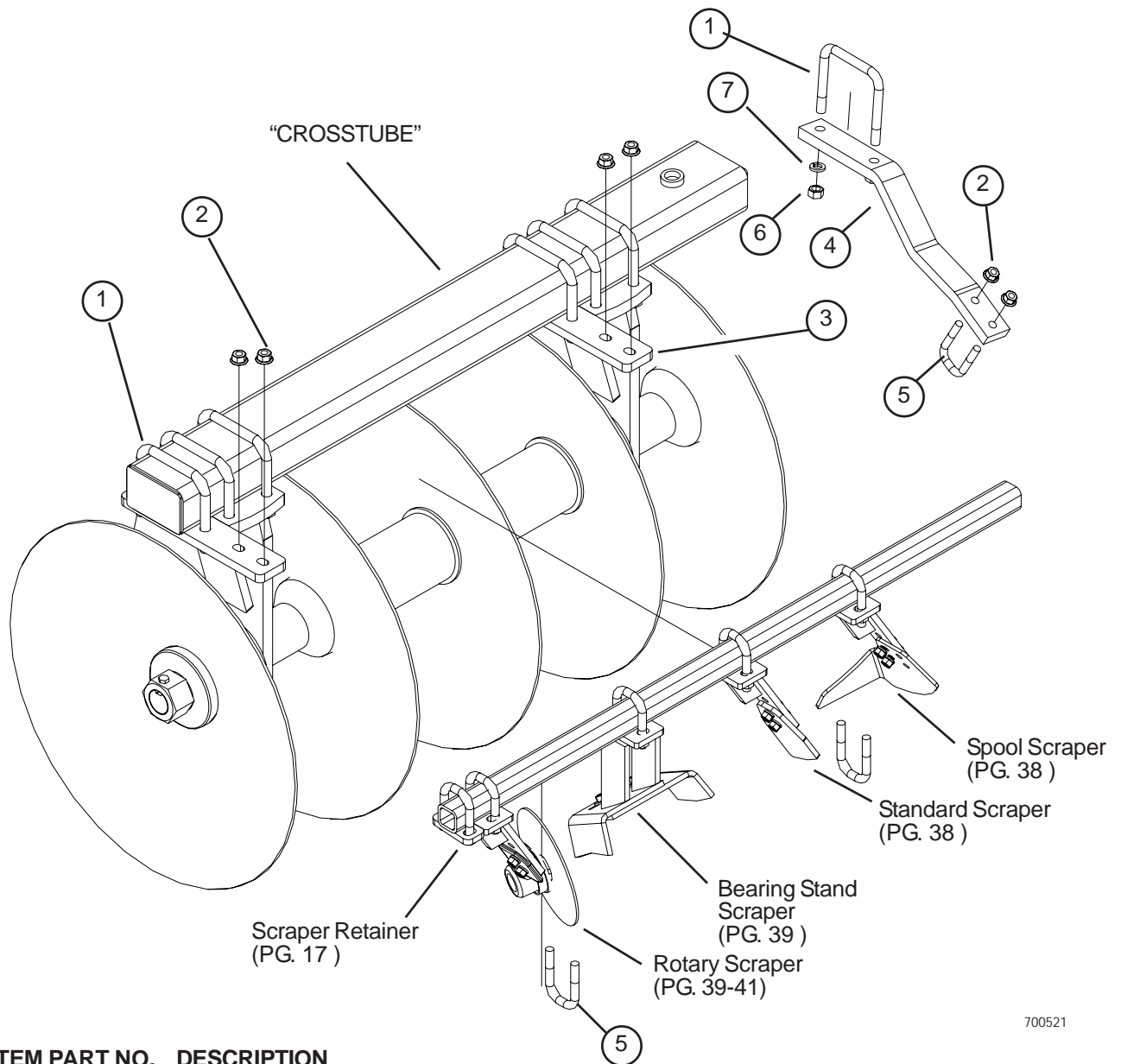
**Model: 816LNT FOLDING**

| Size | # 1      | # 2      | # 3      | # 4      | # 5      | # 6      | # 7       | # 8      | # 9      | # 10     | # 11     | # 12      |
|------|----------|----------|----------|----------|----------|----------|-----------|----------|----------|----------|----------|-----------|
| 34   | W1502-60 | W1502-47 | W1502-86 | W1502-86 | W1502-47 | W1502-60 | W1502-84  | W1502-60 | W1502-60 | W1502-60 | W1502-60 | W1502-84  |
| 38   | W1502-73 | W1502-60 | W1502-86 | W1502-86 | W1502-60 | W1502-73 | W1502-110 | W1502-60 | W1502-60 | W1502-60 | W1502-60 | W1502-110 |

**Model: 814LNT FOLDING**

| Size | # 1      | # 2      | # 3      | # 4      | # 5      | # 6      | # 7       | # 8      | # 9      | # 10     | # 11     | # 12      |
|------|----------|----------|----------|----------|----------|----------|-----------|----------|----------|----------|----------|-----------|
| 34   | W1502-52 | W1502-52 | W1502-85 | W1502-85 | W1502-52 | W1502-52 | W1502-73  | W1502-63 | W1502-63 | W1502-63 | W1502-63 | W1502-73  |
| 38   | W1502-74 | W1502-63 | W1502-85 | W1502-85 | W1502-63 | W1502-74 | W1502-106 | W1502-63 | W1502-63 | W1502-63 | W1502-63 | W1502-106 |

# BLADE SCRAPERS



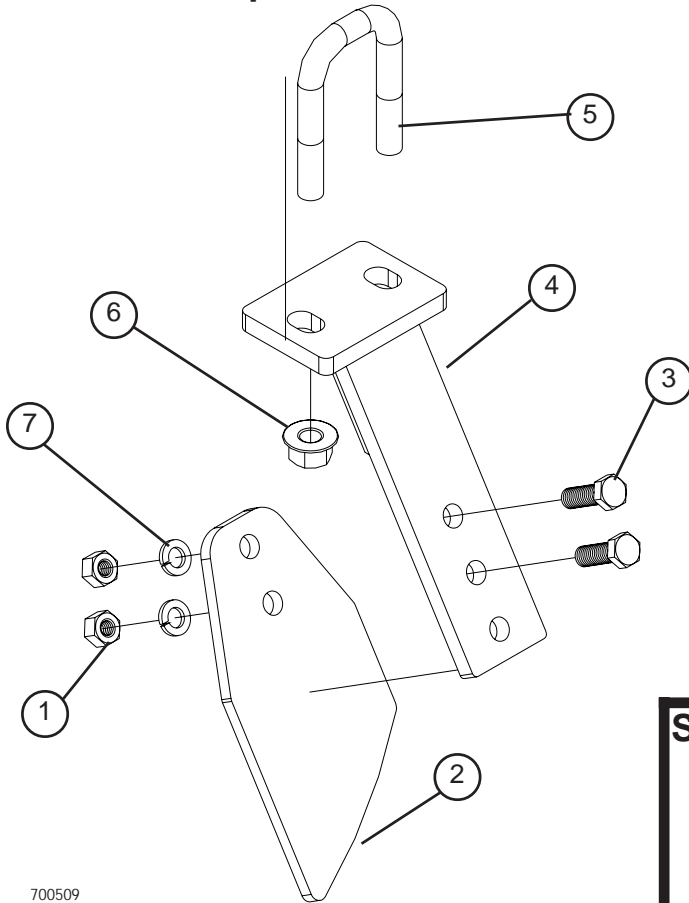
700521

| ITEM | PART NO.      | DESCRIPTION                                |
|------|---------------|--------------------------------------------|
| 1    | 1702          | U-BOLT 3/4" X 6" X 6"                      |
| 2    | 108149        | 5/8NC FLANGE NUT                           |
| 3    | NON-ROCK FLEX |                                            |
|      | 109094        | SCRAPER BAR BRACKET - 24"-26" BLADES       |
|      | 109066        | SCRAPER BAR BRACKET - 28"-30" BLADES       |
| 4    | ROCK-FLEX     |                                            |
|      | 104155        | SCRAPER BAR BRACKET - 24" BLADES - 1 BEND  |
|      | 104788        | SCRAPER BAR BRACKET - 26" BLADES - 2 BENDS |
|      | 103608        | SCRAPER BAR BRACKET - 28" BLADES - 3 BENDS |
|      | 107183        | SCRAPER BAR BRACKET - 30" BLADES - 2 BENDS |
| 5    | 106084        | U-CLAMP - 5/8" X 2" X 3-7/8"               |
|      | 1701          | U-CLAMP - 1/2" X 2 X 3-7/8"                |
| 6    | 1213          | 3/4NC NUT                                  |
| 7    | 1212          | 3/4 LOCK WASHER                            |

**NOTE:** Scraper designation (left or right) refers to direction dirt is thrown from gang blades. Gang illustration above has all left hand scrapers

# BLADE SCRAPERS

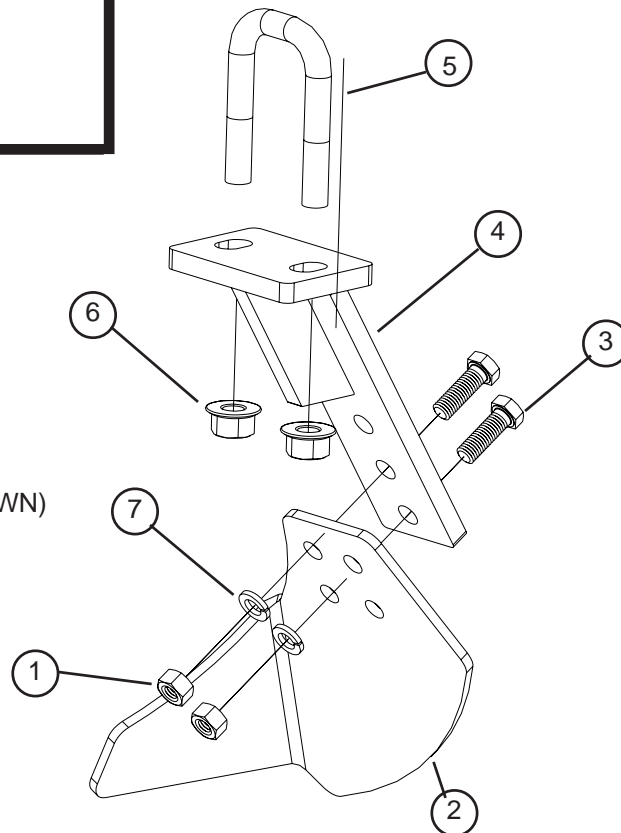
## Standard Scraper



700509

| ITEM | PART NO. | DESCRIPTION                |
|------|----------|----------------------------|
|      | 105440   | COMPLETE ASSEMBLY          |
| 1    | 1216     | NUT - 1/2"                 |
| 2    | 105216   | STANDARD SCRAPER - 3/8     |
| 3    | 1219     | BOLT - 1/2" X 1-1/2"       |
| 4    | 105304   | SCRAPER MOUNT              |
| 5    | 106084   | U-CLAMP 5/8" X 2" X 3-7/8" |
| 6    | 108149   | FLANGE NUT - 5/8"NC        |
| 7    | 1217     | LOCK WASHER - 1/2"         |

## Spool Scraper



700524

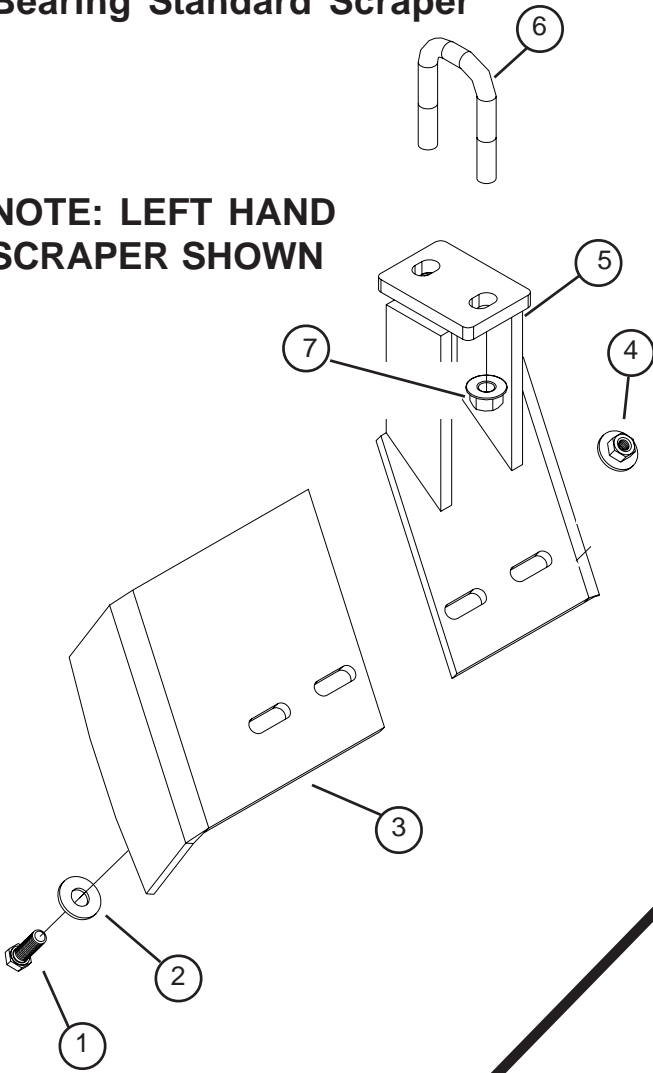
| ITEM | PART NO. | DESCRIPTION                |
|------|----------|----------------------------|
|      | 109402   | COMPLETE ASSY - LH         |
|      | 109403   | COMPLETE ASSY - RH         |
| 1    | 1216     | NUT - 1/2"                 |
| 2    | 106471   | SPOOL SCRAPER - LH (SHOWN) |
|      | 106472   | SPOOL SCRAPER - RH         |
| 3    | 1219     | BOLT - 1/2" X 1-1/2"       |
| 4    | 105304   | SCRAPER MOUNT              |
| 5    | 106084   | U-CLAMP 5/8" X 2" X 3-7/8" |
| 6    | 108149   | FLANGE NUT - 5/8"NC        |
| 7    | 1217     | LOCK WASHER - 1/2"         |

**NOTE: LEFT HAND  
SCRAPER SHOWN**

# BLADE SCRAPERS

## Bearing Standard Scraper

**NOTE: LEFT HAND SCRAPER SHOWN**

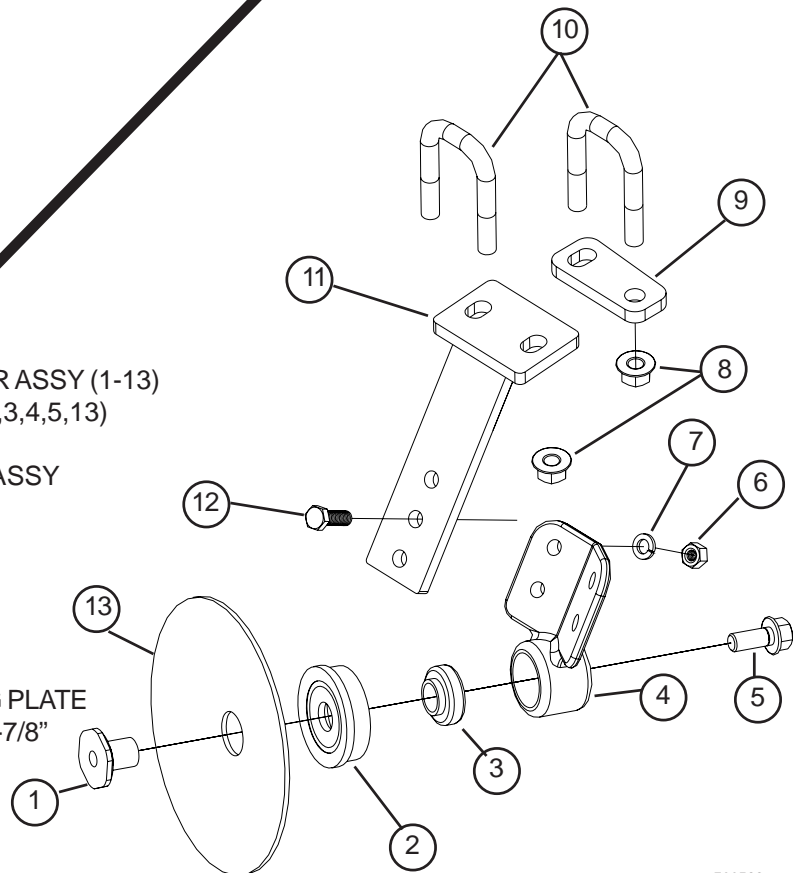


| ITEM | PART NO. | DESCRIPTION                  |
|------|----------|------------------------------|
|      | 107715   | COMPLETE SCRAPER 13" - LH    |
|      | 107716   | COMPLETE SCRAPER 13" - RH    |
|      | 105920   | COMPLETE SCRAPER 11" - LH    |
|      | 105917   | COMPLETE SCRAPER 11" - RH    |
|      | 107199   | COMPLETE SCRAPER 10" - LH    |
|      | 107200   | COMPLETE SCRAPER 10" - RH    |
| 1    | 1219     | BOLT - 1/2" X 1-1/2"         |
| 2    | 107208   | FLAT WASHER - 1/2"           |
| 3    | 107713   | ADJUST PLATE - RIGHT 13"     |
|      | 105916   | ADJUST PLATE - RIGHT 10"/11" |
|      | 107714   | ADJUST PLATE - LEFT 13"      |
|      | 107196   | ADJUST PLATE - LEFT 10"/11"  |
| 4    | 2084     | FLANGE NUT - 1/2"NC          |
| 5    | 105918   | RIGHT HAND WELD - 11"/13"    |
|      | 107198   | RIGHT HAND WELD - 10"        |
|      | 105919   | LEFT HAND WELD - 11"/13"     |
|      | 107197   | LEFT HAND WELD - 10"         |
| 6    | 106084   | U-CLAMP 5/8" X 2" X 3-7/8"   |
| 7    | 108149   | FLANGE NUT - 5/8"NC          |

700522

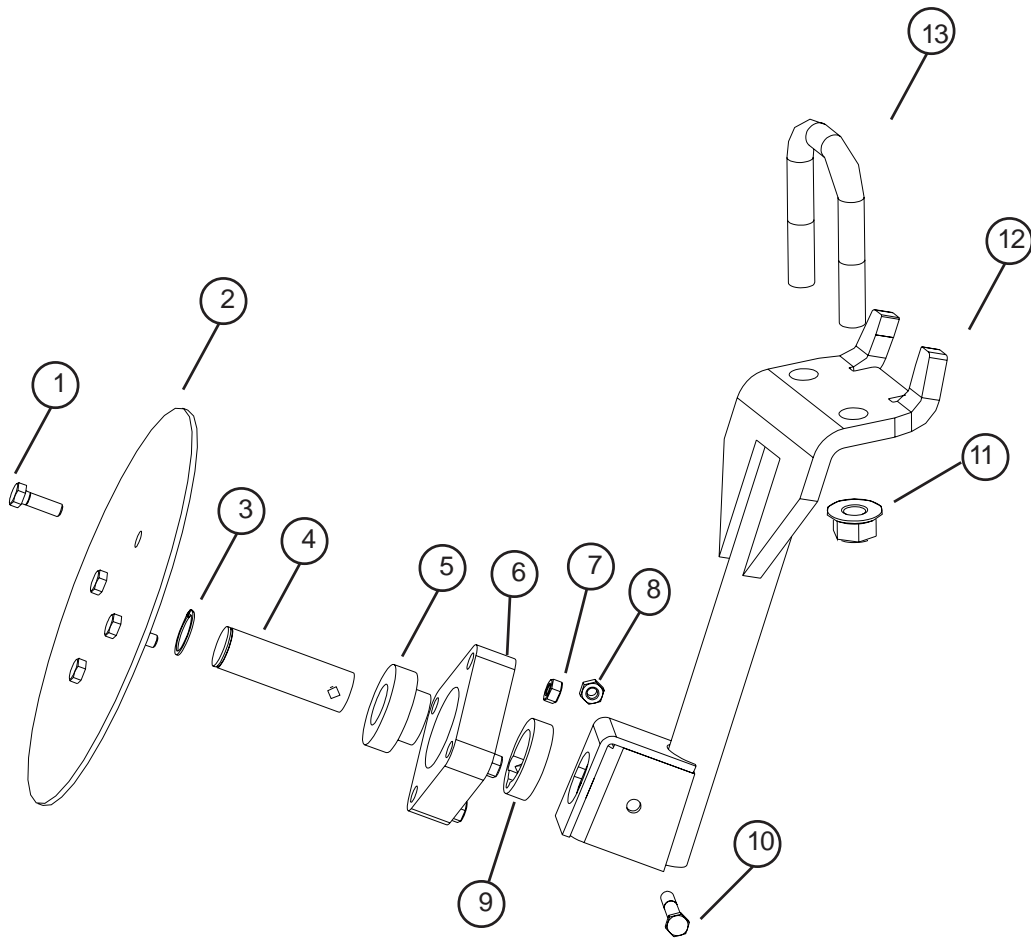
## Rotary Scraper

| ITEM | PART NO. | DESCRIPTION                    |
|------|----------|--------------------------------|
|      | 108062   | COMPLETE SCRAPER ASSY (1-13)   |
|      | 109412   | SUBASSY - (INCL. 1,2,3,4,5,13) |
| 1    | 107155   | NUT - SCRAPER                  |
| 2    | 108066   | SCRAPER WASHER ASSY            |
| 3    | 7095     | BEARING                        |
| 4    | 108294   | BEARING MOUNT                  |
| 5    | 108045   | 5/8" X 1-1/2" GR 8             |
| 6    | 1216     | NUT- 1/2"NC                    |
| 7    | 1217     | LOCK WASHER - 1/2"             |
| 8    | 108149   | FLANGE NUT - 5/8"NC            |
| 9    | 108701   | SCRAPER RETAINING PLATE        |
| 10   | 106084   | U-CLAMP 5/8" X 2" X 3-7/8"     |
| 11   | 105304   | SCRAPER MOUNT                  |
| 12   | 1219     | BOLT - 1/2" X 1-1/2"           |
| 13   | 104322   | DISC                           |



700523

# ROTARY SCRAPER



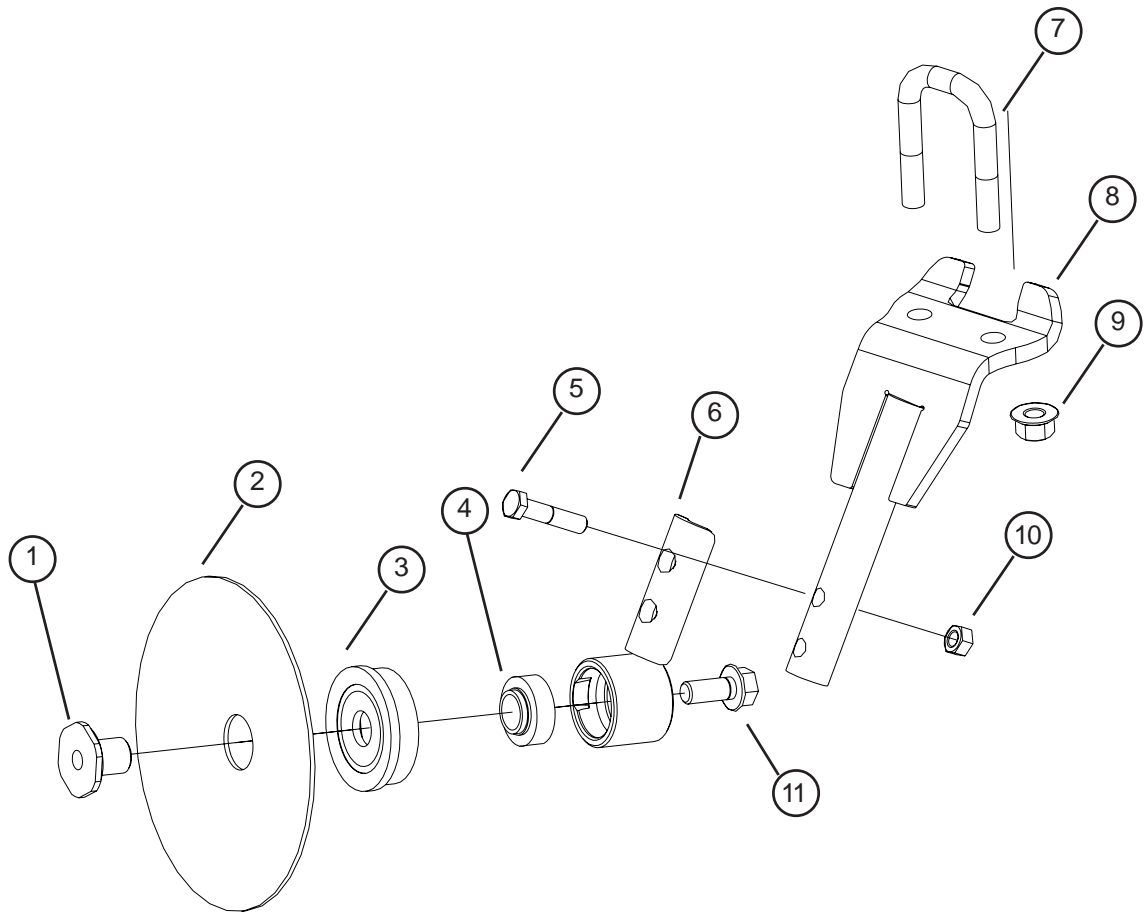
700638

| ITEM | PART NO. | DESCRIPTION                          |
|------|----------|--------------------------------------|
| 1    | 88478    | BOLT - 3/8" X 1"                     |
| 2    | 246581   | 10IN SCRAPER BLADE                   |
| 3    | 246577   | SNAP RING - 1"                       |
| 4    | 246584   | SHAFT 1" X 3.25"                     |
| 5    | 246586   | 1" ID BEARING                        |
| 6    | 246578   | BEARING HOUSING                      |
| 7    | 88162    | LOCK NUT - 3/8"NC                    |
| 8    | 88540    | LOCK NUT - 5/16"NC                   |
| 9    | 246913   | 1" BEARING PROTECTOR                 |
| 10   | 88544    | BOLT - 5/16" X 2"                    |
| 11   | 108149   | FLANGE NUT - 5/8"NC                  |
| 12   | 246587   | RIGHT - ROTARY SCRAPER ARM           |
|      | 246588   | LEFT - ROTARY SCRAPER ARM<br>(SHOWN) |
| 13   | 106084   | U-CLAMP 5/8" X 2" X 3-7/8"           |

**NOTE: LEFT OR RIGHT  
HAND DESIGNATION  
BY LETTER ON TOP  
PLATE.**

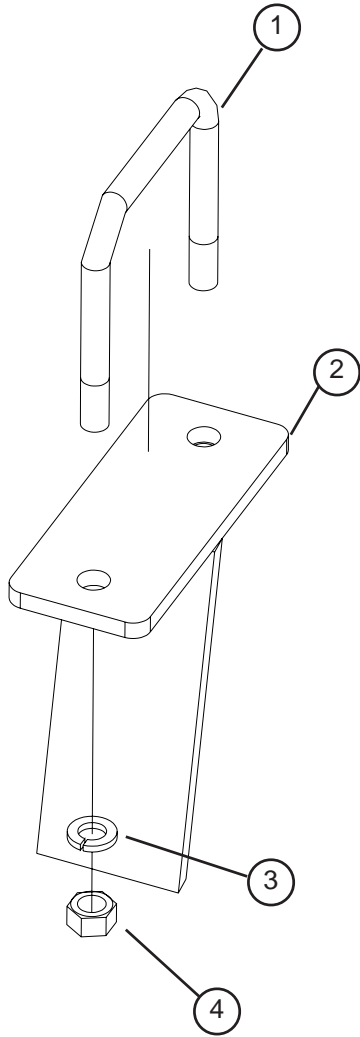


# ROTARY SCRAPER



| ITEM | PART NO. | DESCRIPTION                                 |
|------|----------|---------------------------------------------|
|      | 352768   | LH COMPLETE SCRAPER ASSY (1-11)             |
|      | 352769   | RH COMPLETE SCRAPER ASSY (1-11)             |
| 1    | 107155   | NUT - SCRAPER                               |
| 2    | 104322   | DISC                                        |
| 3    | 108066   | SCRAPER WASHER ASSY                         |
| 4    | 7095     | BEARING                                     |
| 5    | 89578    | PLW BOLT - 1/2" X 2-1/4" GR5 (CAST HOUSING) |
|      | 88825    | BOLT - 1/2" X 2-1/4" 5Z (STEEL HOUSING)     |
| 6    | 352979   | BEARING HOUSING - CAST                      |
| 7    | 106084   | U-CLAMP 5/8" X 2" X 3-7/8"                  |
| 8    | 109879   | SCRAPER ARM - LH                            |
|      | 109880   | SCRAPER ARM - RH                            |
| 9    | 108149   | FLANGE NUT - 5/8"NC                         |
| 10   | 1216     | NUT- 1/2"NC                                 |
| 11   | 108045   | 5/8" X 1-1/2" GR 8                          |

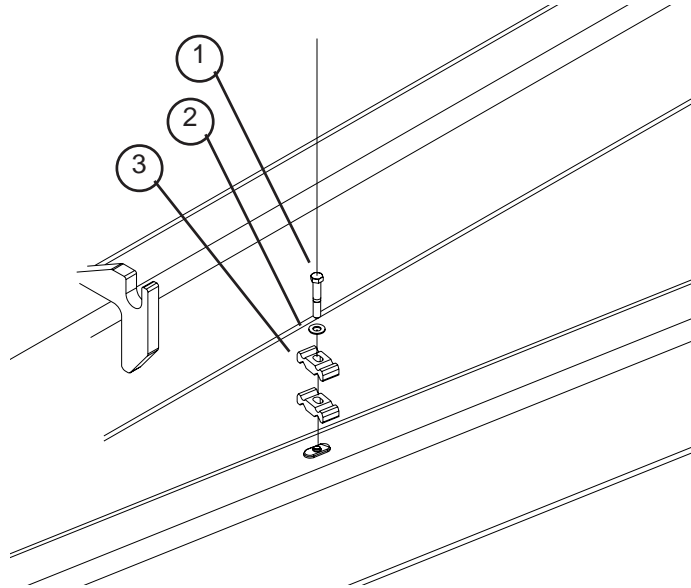
# MUD SCRAPER



700593

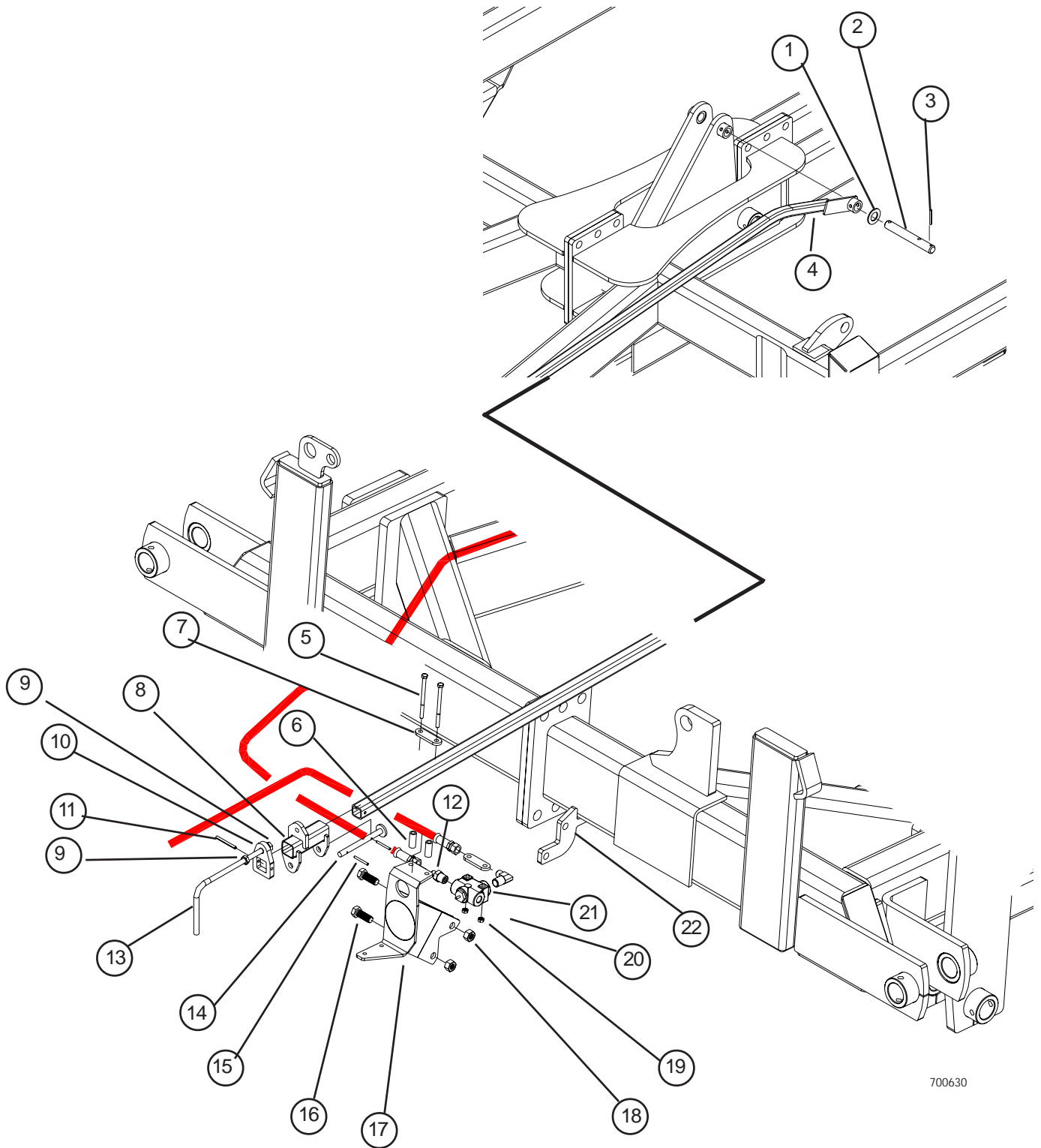
| ITEM | PART NO. | DESCRIPTION                     |
|------|----------|---------------------------------|
|      | 109406   | COMPLETE MUD SCRAPER RH 24"/26" |
|      | 109407   | COMPLETE MUD SCRAPER LH 24"/26" |
|      | 109408   | COMPLETE MUD SCRAPER RH 28"/30" |
|      | 109409   | COMPLETE MUD SCRAPER LH 28"/30" |
| 1    | 1702     | U-CLAMP 3/4" X 6 X 6            |
| 2    | 1993     | MUD SCRAPER - RH 24"/26" BLADES |
|      | 108031   | MUD SCRAPER - RH 28"/30" BLADES |
|      | 108032   | MUD SCRAPER - LH 24"/26" BLADES |
|      | 108033   | MUD SCRAPER - LH 28"/30" BLADES |
| 3    | 1212     | LOCKWASHER - 3/4"               |
| 4    | 1213     | NUT - 3/4"NC                    |

# HYDRAULIC HOSE CLAMPS



| ITEM | PART NO. | DESCRIPTION              |
|------|----------|--------------------------|
| 1    | 88555    | 3/8 X 1-1/4 GR5 (1 HOSE) |
|      | 89012    | 3/8 X2-1/2 GR5 (2 HOSES) |
| 2    | 88282    | 3/8 WASHER               |
| 3    | 105784   | HOSE CLAMP               |

# SINGLE POINT DEPTH CONTROL

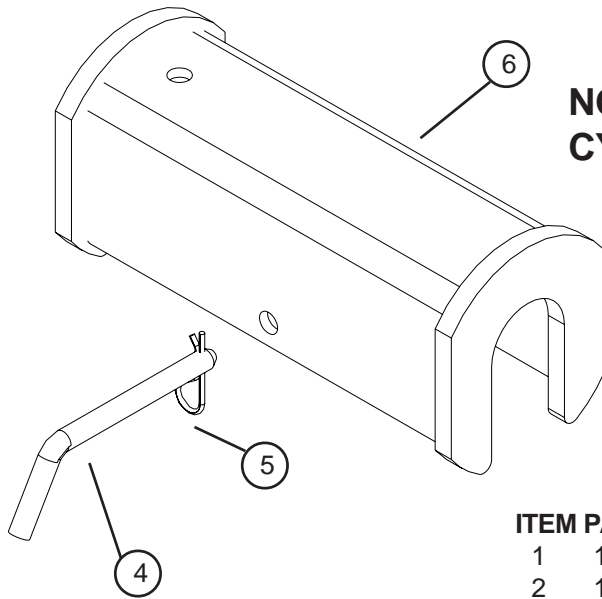


700630

## SINGLE POINT DEPTH CONTROL, CONTINUED

| ITEM | PART NO. | DESCRIPTION              |
|------|----------|--------------------------|
| 1    | 88397    | 1-1/8" FLAT WASHER       |
| 2    | 109783   | PIN - 1-1/8" X 15"       |
| 3    | 42484    | 1/4" X 2-1/4" ROLL PIN   |
| 4    | 109780   | REAR BENT TUBE           |
|      | 246910   | FRONT TUBE               |
| 5    | 88812    | 5/16" x 4-1/2" BOLT      |
| 6    | 238637   | SPACER TUBE              |
| 7    | 238636   | VALVE SPACER             |
| 8    | 222111   | SLIDE ADJUST             |
| 9    | 88621    | 1/2" JAM NUT             |
| 10   | 222107   | ADJUST EAR               |
| 11   | 88767    | 1/4" X 2-1/2" ROLL PIN   |
| 12   | 24024    | ADPT 8MORB X 8MJ         |
|      | 13234    | ADPT 8MJ X 8MPT          |
| 13   | 222182   | ADJUST CRANK             |
| 14   | 222180   | SPRING PIN               |
| 15   | 89078    | 3/16" X 1-3/4" ROLL PIN  |
| 16   | 88838    | BOLT - 5/8"NC X 1-3/4"   |
| 17   | 238638   | SINGLE POINT BRACKET     |
| 18   | 88369    | LOCK NUT 5/8" NC         |
| 19   | 88540    | LOCK NUT 5/16" NC        |
| 20   | 24698    | ELBOW - 6MJ X 8MPT       |
|      | 13236    | ELBOW - 8MJ X 8MPT       |
|      | 25580    | ELBOW - 8MORB X 8MJ      |
| 21   | 51975    | SP DCV ASSY - PIPE FTNGS |
|      | 356732   | SP DCV ASSY - ORB FTNGS  |
|      | 88296    | 1/2 NPT PLUG             |
|      | 55836    | REPAIR KIT               |
|      | 356732   | SP DCV ASSY - ORB FTNGS  |
|      | 352529   | 8MORB HEX HEAD PLUG      |
| 22   | 244656   | FRAME PLATE              |

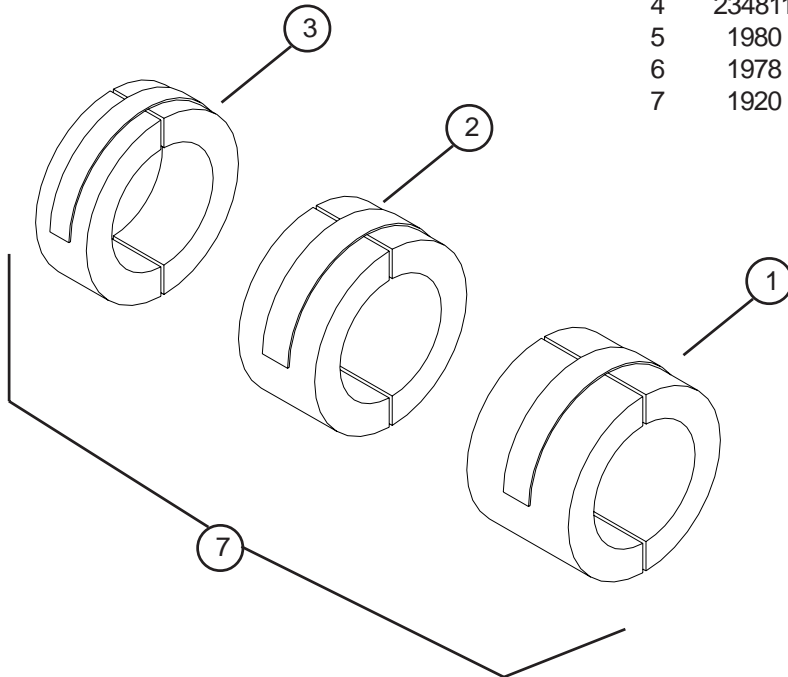
# DEPTH CONTROL AND TRANSPORT LOCKS



**NOTE: DESIGNED FOR 2 INCH  
CYLINDER ROD**

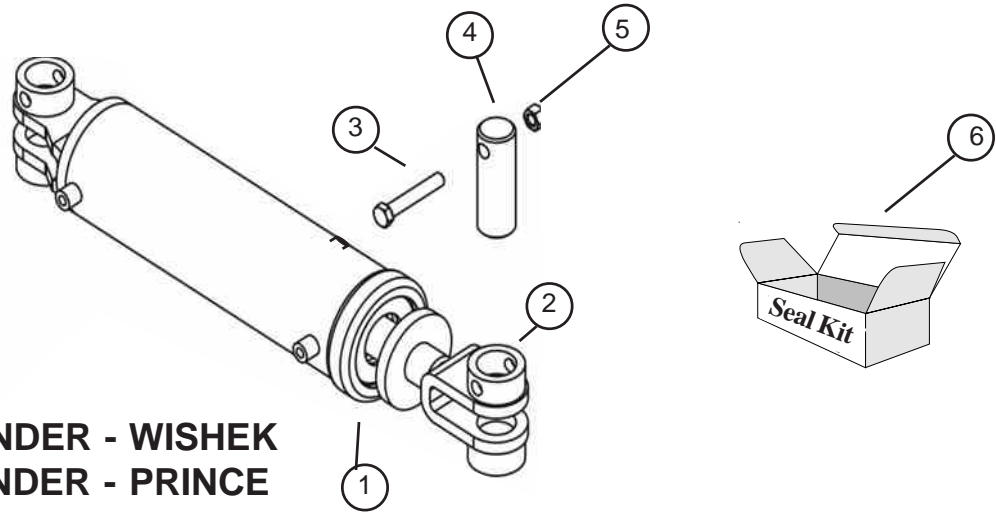
700634

| ITEM | PART NO. | DESCRIPTION                  |
|------|----------|------------------------------|
| 1    | 108340   | 2" DEPTH CONTROL SEGMENT     |
| 2    | 105997   | 1-1/2" DEPTH CONTROL SEGMENT |
| 3    | 105996   | 1" DEPTH CONTROL SEGMENT     |
| 4    | 234811   | PIN - 1/2" X 4-3/4"          |
| 5    | 1980     | HAIR PIN CLIP                |
| 6    | 1978     | TRANSPORT LOCK BRACKET       |
| 7    | 1920     | COMPLETE DEPTH CONTROL KIT   |



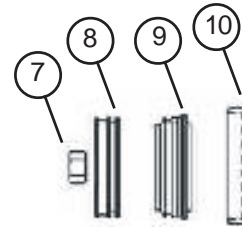
700635

# 4-1/2 X 12 REPHASING CYLINDER MAIN LIFT ON FOLDING UNITS

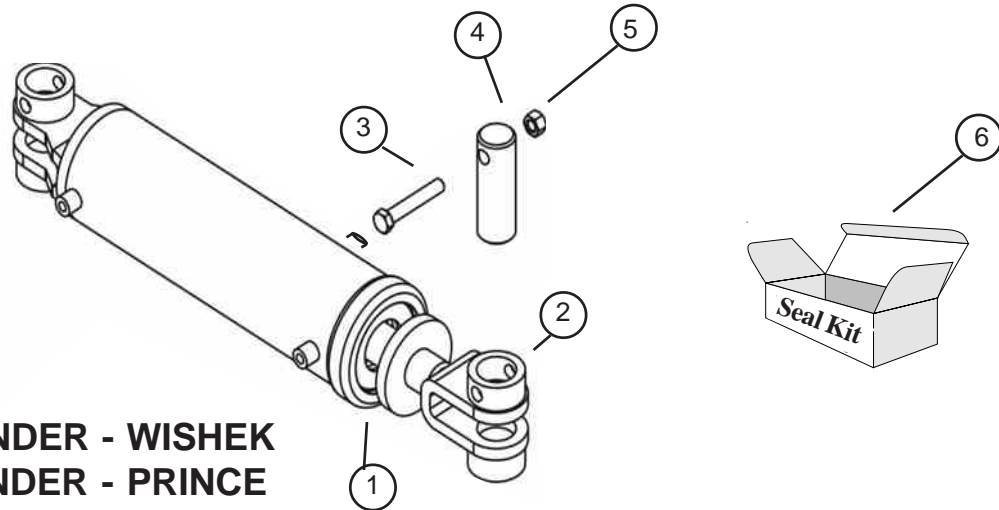


**NOTE:**  
**GREEN CYLINDER - WISHEK**  
**BLACK CYLINDER - PRINCE**

| ITEM | PART NO. | DESCRIPTION                                                        |
|------|----------|--------------------------------------------------------------------|
| 1    | 104941   | COMPLETE CYLINDER 4-1/2" X 12"                                     |
| 2    | 108614   | PISTON ROD - PRINCE                                                |
| 3    | 104947   | BOLT - 1/2"NC X 3"                                                 |
| 4    | 104654   | PIN - 1-1/2" X 4-1/4"                                              |
| 5    | 104946   | LOCKNUT 1/2"NC                                                     |
| 6    | 104097   | SEAL KIT - 4-1/2" PHASING - WISHEK                                 |
|      | 108338   | SEAL KIT - 4-1/2" PHASING - PRINCE                                 |
|      | 106027   | SEAL KIT - 4-1/2" PHASING - WISHEK (2-1/2" ROD)                    |
| 7    | 1904     | SHAFT LOCK NUT - 1-14NF- WISHEK                                    |
|      | 108613   | SHAFT LOCK NUT - 1-1/4-12NF- PRINCE                                |
| 8    | 103246   | 4-1/2" PISTON - WISHEK                                             |
|      | 108610   | 4-1/2" PISTON - PRINCE                                             |
| 9    | 103245   | 4-1/2" HEADGLAND - WISHEK                                          |
|      | 108611   | 4-1/2" HEADGLAND - PRINCE                                          |
| 10   | 103255   | 4-1/2" CYLINDER NUT - WISHEK                                       |
|      | 108612   | 4-1/2" CYLINDER NUT - PRINCE                                       |
| --   | 108676   | 1" TO 1.5" CYLINDER PIN UPDATE KIT<br>2 KITS REQUIRED PER CYLINDER |

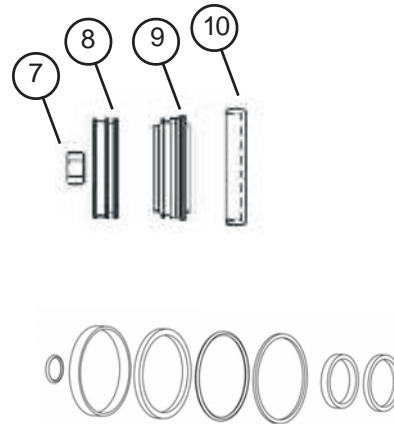


**4 X 12 REPHASING CYLINDER  
WINGS ON FOLDING UNITS  
MAINFRAME ON NON-FOLDING UNITS**



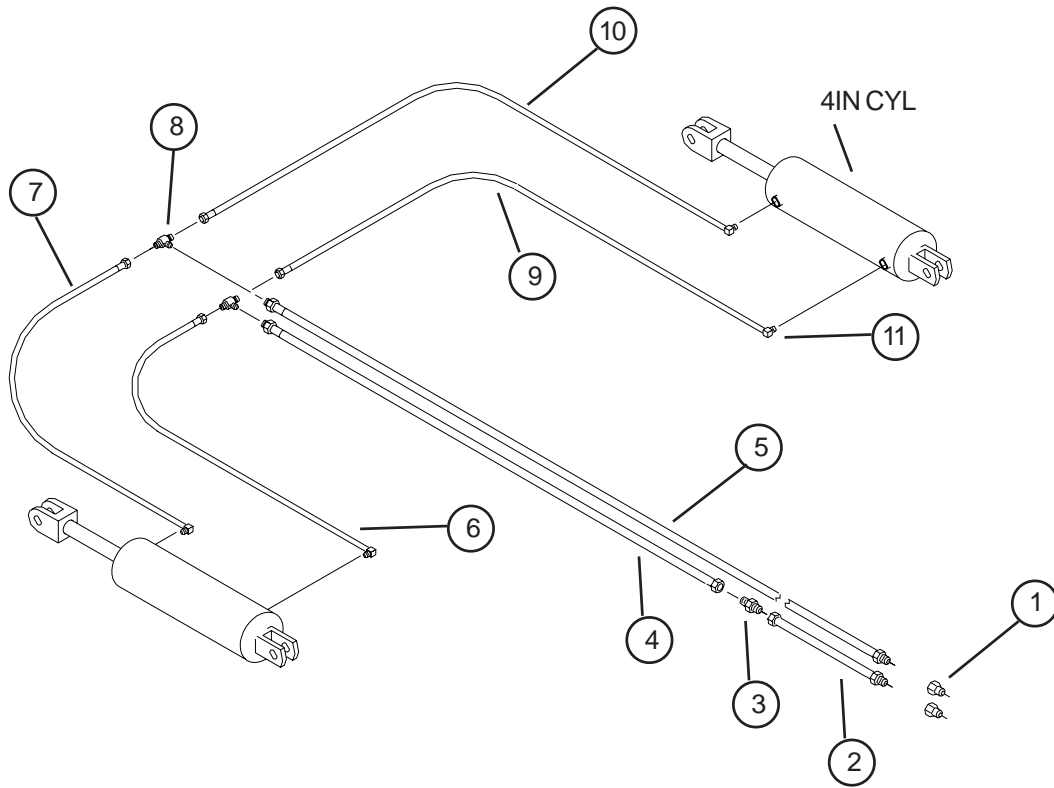
**NOTE:  
GREEN CYLINDER - WISHEK  
BLACK CYLINDER - PRINCE**

| ITEM | PART NO. | DESCRIPTION                         |
|------|----------|-------------------------------------|
| 1    | 104940   | COMPLETE CYLINDER 4" X 12"          |
| 2    | 108614   | PISTON ROD - PRINCE                 |
| 3    | 104947   | BOLT - 1/2"NC X 3"                  |
| 4    | 104654   | PIN - 1-1/2" X 4-1/4"               |
| 5    | 104946   | LOCKNUT 1/2"NC                      |
| 6    | 103218   | SEAL KIT - 4" PHASING - WISHEK      |
|      | 108337   | SEAL KIT - 4" PHASING - PRINCE      |
| 7    | 1904     | SHAFT LOCK NUT - 1-14NF - WISHEK    |
|      | 108613   | SHAFT LOCK NUT - 1-1/4-12NF - PRINC |
| 8    | 103173   | 4" PISTON - WISHEK                  |
|      | 108616   | 4" PISTON - PRINCE                  |
| 9    | 103224   | 4" HEADGLAND - WISHEK               |
|      | 108617   | 4" HEADGLAND - PRINCE               |
| 10   | 1968     | 4" CYLINDER NUT - WISHEK            |
|      | 108618   | 4" CYLINDER NUT - PRINCE            |
| -    | 108676   | 1" TO 1.5" CYLINDER PIN UPDATE KIT  |



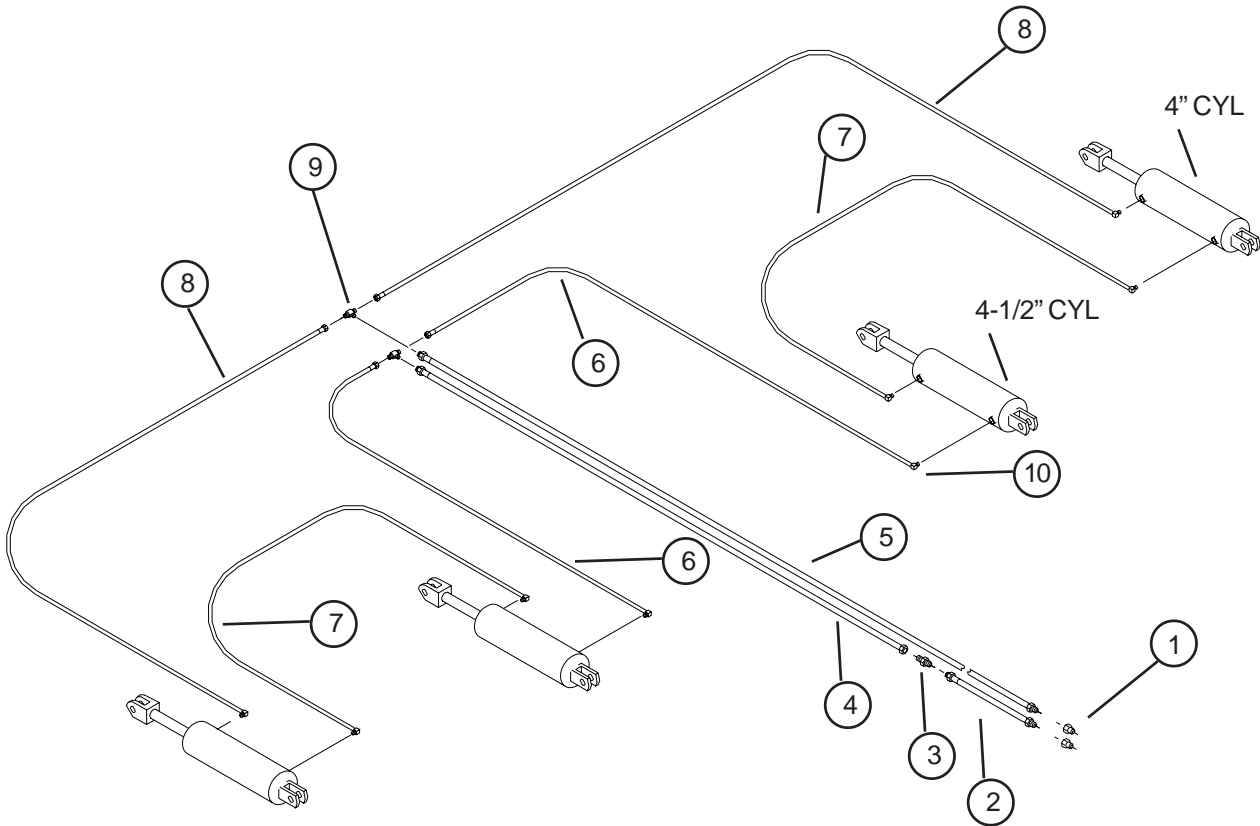


## HYDRAULICS - RAISE/LOWER HOSE (NON-FOLD)



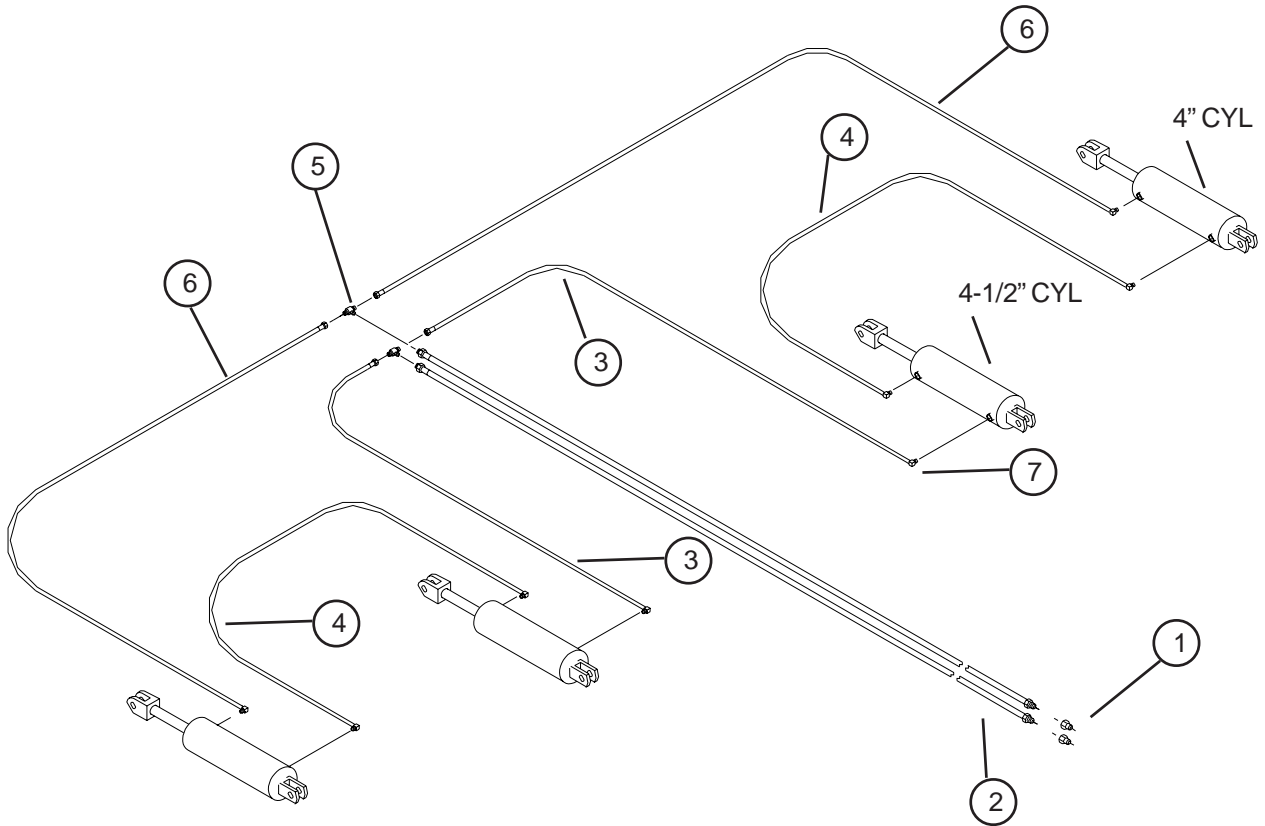
| ITEM | PART NO. | DESCRIPTION                                 |
|------|----------|---------------------------------------------|
| 1    | 60640    | QUICK DISCONNECT COUPLER                    |
| 2    | 350845   | 127" HOSE 8FJX-6FJX (TANDEM/OFFSET 14'-18') |
| 3    | 13329    | 8MJX8MJ UNION                               |
| 4    | 350846   | 127" HOSE 8FJX-8MP (TANDEM/OFFSET 14'-18')  |
| 5    | 350844   | 254" HOSE 6FJX-8MP (TANDEM/OFFSET 14'-18')  |
| 6    | 243774   | 42" HOSE 6FJX-8MBX90 (TANDEM 14'-18')       |
|      | 350847   | 24" HOSE 6FJX-8MBX90 (OFFSET 14'-18')       |
| 7    | 350851   | 53" HOSE 6FJX-8MBX90 (TANDEM 14'-18')       |
|      | 243774   | 42" HOSE 6FJX-8MBX90 (OFFSET 14'-18')       |
| 8    | 64346    | TEE 6MJ (3)                                 |
| 9    | 243744   | 42" HOSE 6FJX-8MBX90 (TANDEM 14'-18')       |
|      | 243773   | 48" HOSE 6FJX-8MBX90 (OFFSET 14'-18')       |
| 10   | 350851   | 53" HOSE 6FJX-8MBX90 (TANDEM 14'-18')       |
|      | 350848   | 62" HOSE 6FJX-8MBX90 (OFFSET 14'-18')       |
| 11   | 24104    | 8MORB-6MJ ELBOW                             |

# HYDRAULICS - RAISE/LOWER HOSE (FOLDING TANDEM)



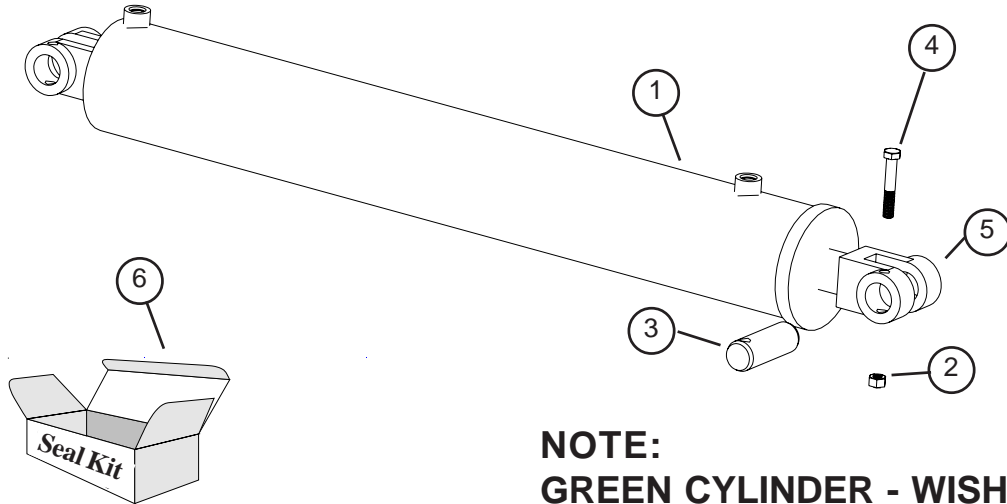
| ITEM | PART NO. | DESCRIPTION                                    |
|------|----------|------------------------------------------------|
| 1    | 60640    | QUICK DISCONNECT COUPLER                       |
| 2    | 246551   | 168" HOSE 8FJX-8MP (ALL FOLDING TANDEM)        |
| 3    | 13329    | 8MJX8MJ UNION                                  |
| 4    | 246552   | 168" HOSE 6FJX-8FJX (ALL FOLDING TANDEM)       |
| 5    | 246553   | 336" HOSE 6FJX-8MP (ALL FOLDING TANDEM)        |
| 6    | 243774   | 42" HOSE 6FJX-8MBX90 (ALL FOLDING TANDEM)      |
| 7    | 243769   | 114" HOSE 8MBX90-8MBX90 (20'-24'-26' TANDEM)   |
|      | 243777   | 137" HOSE 8MBX90-8MBX90 (30' TANDEM)           |
|      | 350850   | 157" HOSE 8MBX90-8MBX90 (34'-38' TANDEM)       |
|      | 350852   | 168" HOSE 8MBX90-8MBX90 (LNT TANDEM)           |
| 8    | 243766   | 148" HOSE 6FJX-8MBX90 (20'-24'-26' TANDEM)     |
|      | 243771   | 156" HOSE 6FJX-8MBX90 (30' TANDEM)             |
|      | 350849   | 194" HOSE 6FJX-8MBX90 (34'-38' AND LNT TANDEM) |
| 9    | 64346    | TEE 6MJ (3)                                    |
| 10   | 24104    | 8MORB-6MJ ELBOW                                |

## HYDRAULICS - RAISE/LOWER HOSE (FOLDING OFFSET)



| ITEM | PART NO. | DESCRIPTION                                 |
|------|----------|---------------------------------------------|
| 1    | 60640    | QUICK DISCONNECT COUPLER                    |
| 2    | 350855   | 168" HOSE 8FJX-8MP (ALL FOLDING OFFSET)     |
| 3    | 350858   | 34" HOSE 8MBX90-8MBX90 (ALL FOLDING OFFSET) |
| 4    | 350857   | 65" HOSE 8MBX90-8MBX90(20/22FT)             |
|      | 350861   | 71" HOSE 8MBX90-8MBX90 (24/26FT)            |
| 5    | 64346    | TEE 6MJ (3)                                 |
| 6    | 350884   | 79" HOSE 8MBX90-8MBX90 (20/22FT)            |
|      | 350860   | 91" HOSE 8MBX90-8MBX90 (24/26FT))           |
| 7    | 24104    | 8MORB-6MJ ELBOW                             |

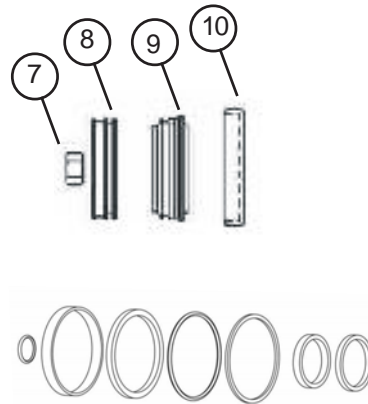
# 5 X 36 CYLINDER - WING



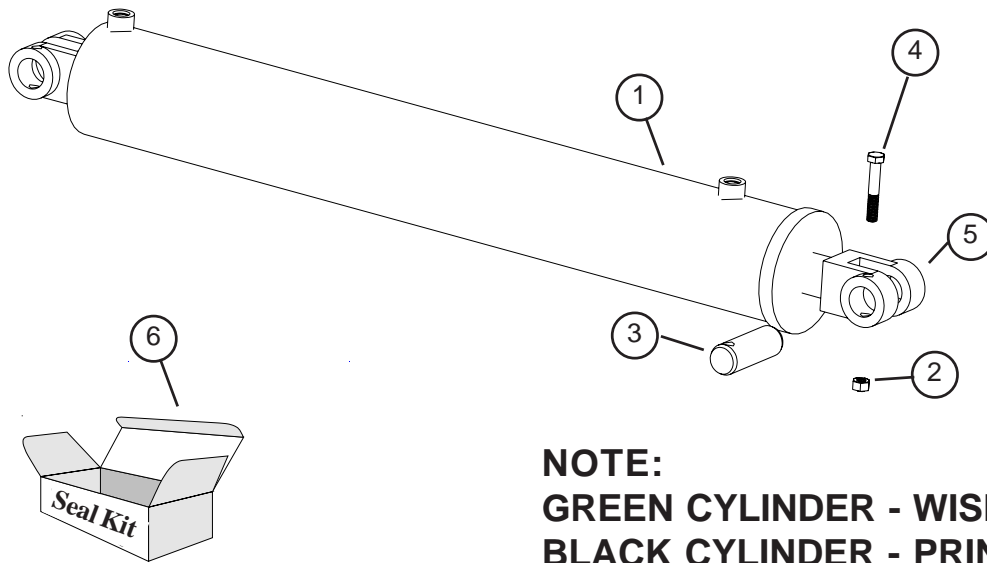
**NOTE:**  
**GREEN CYLINDER - WISHEK**  
**BLACK CYLINDER - PRINCE**

700644

| ITEM | PART NO. | DESCRIPTION                        |
|------|----------|------------------------------------|
| 1    | 106386   | COMPLETE CYLINDER 5" X 36"         |
| 2    | 104946   | LOCKNUT 1/2"NC                     |
| 3    | 104654   | PIN - 1-1/2" X 4-1/4"              |
|      | 109774   | PIN - 1-1/2" X 12-3/4" - 34FT/38FT |
|      | 109772   | COLLAR (HOLES) - 34FT/38FT         |
|      | 109771   | SLEEVE (NO HOLES)- 34FT/38FT       |
| 4    | 104947   | BOLT - 1/2"NC X 3"                 |
| 5    | 108605   | PISTON ROD - PRINCE                |
| 6    | 104625   | SEAL KIT - 5" - WISHEK             |
|      | 108339   | SEAL KIT - 5" - PRINCE             |
| 7    | 107254   | LOCKNUT 1-1/4-12 - WISHEK          |
|      | 108606   | LOCKNUT 1-3/4-12 - PRINCE          |
| 8    | 104583   | 5" PISTON - WISHEK                 |
|      | 108602   | 5" PISTON - PRINCE                 |
| 9    | 104582   | 5" HEADGLAND - WISHEK              |
|      | 108603   | 5" HEADGLAND - PRINCE              |
| 10   | 104584   | 5" CYLINDER NUT - WISHEK           |
|      | 108604   | 5" CYLINDER NUT - PRINCE           |



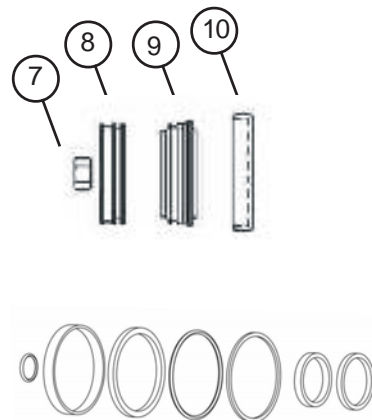
## 5 X 44 CYLINDER - WING 20FT TO 26FT (2000 - 2008)



700644

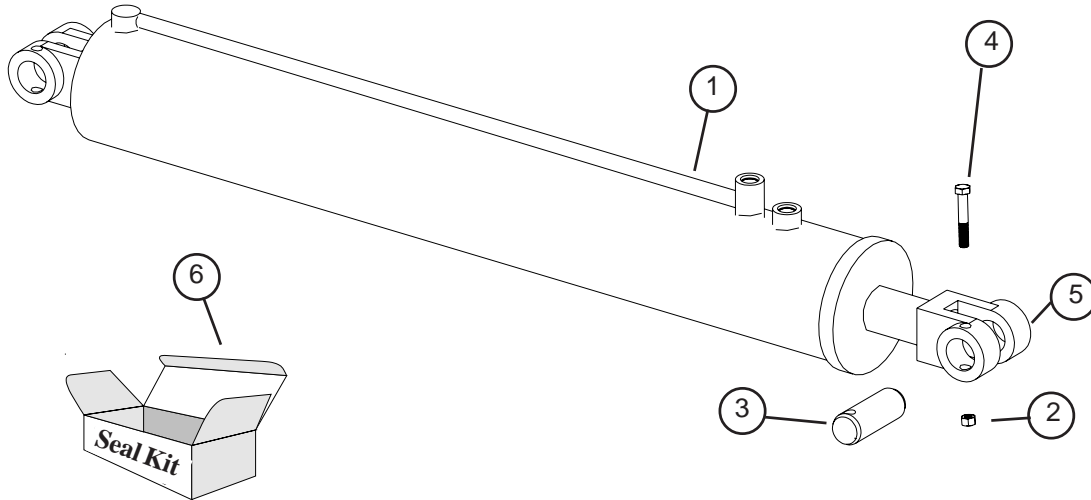
**NOTE:**  
**GREEN CYLINDER - WISHEK**  
**BLACK CYLINDER - PRINCE**

| ITEM | PART NO. | DESCRIPTION                |
|------|----------|----------------------------|
| 1    | 106174   | COMPLETE CYLINDER 5" X 44" |
| 2    | 104946   | LOCKNUT 1/2"NC             |
| 3    | 104654   | PIN - 1-1/2" X 4-1/4"      |
| 4    | 104947   | BOLT - 1/2"NC X 3"         |
| 5    | 108600   | PISTON ROD- PRINCE         |
| 6    | 104625   | SEAL KIT - 5" - WISHEK     |
|      | 108339   | SEAL KIT - 5" - PRINCE     |
| 7    | 107254   | LOCKNUT 1-1/4-12 - WISHEK  |
|      | 108606   | LOCKNUT 1-3/4-12 - PRINCE  |
| 8    | 104583   | 5" PISTON - WISHEK         |
|      | 108602   | 5" PISTON - PRINCE         |
| 9    | 104582   | 5" HEADGLAND - WISHEK      |
|      | 108603   | 5" HEADGLAND - PRINCE      |
| 10   | 104584   | 5" CYLINDER NUT - WISHEK   |
|      | 108604   | 5" CYLINDER NUT - PRINCE   |



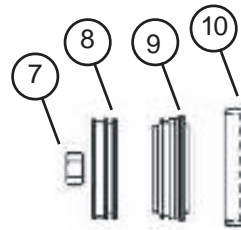
# 5 X 36 CYLINDER

## 34FT-38FT LNT (2008-2010 LOWERED WING HINGE)

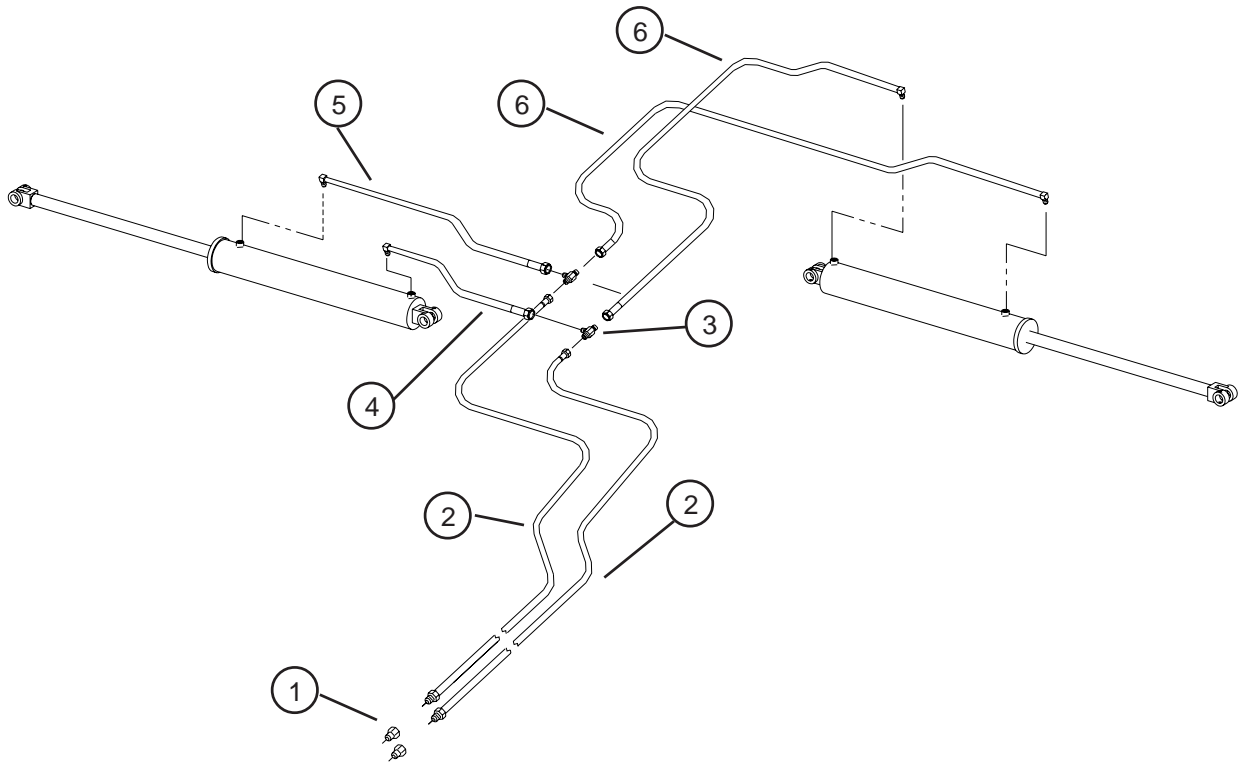


700643

| ITEM | PART NO. | DESCRIPTION                    |
|------|----------|--------------------------------|
| 1    | 245464   | COMPLETE LNT CYLINDER 5" X 36" |
| 2    | 104946   | LOCKNUT 1/2"NC                 |
| 3    | 104654   | PIN - 1-1/2" X 4-1/4"          |
| 4    | 104947   | BOLT - 1/2"NC X 3"             |
| 5    | 108605   | PISTON ROD - PRINCE            |
| 6    | 108339   | SEAL KIT - 5" - PRINCE         |
| 7    | 108606   | LOCKNUT 1-3/4-12 - PRINCE      |
| 8    | 108602   | 5" PISTON - PRINCE             |
| 9    | 108603   | 5" HEADGLAND - PRINCE          |
| 10   | 108604   | 5" CYLINDER NUT - PRINCE       |

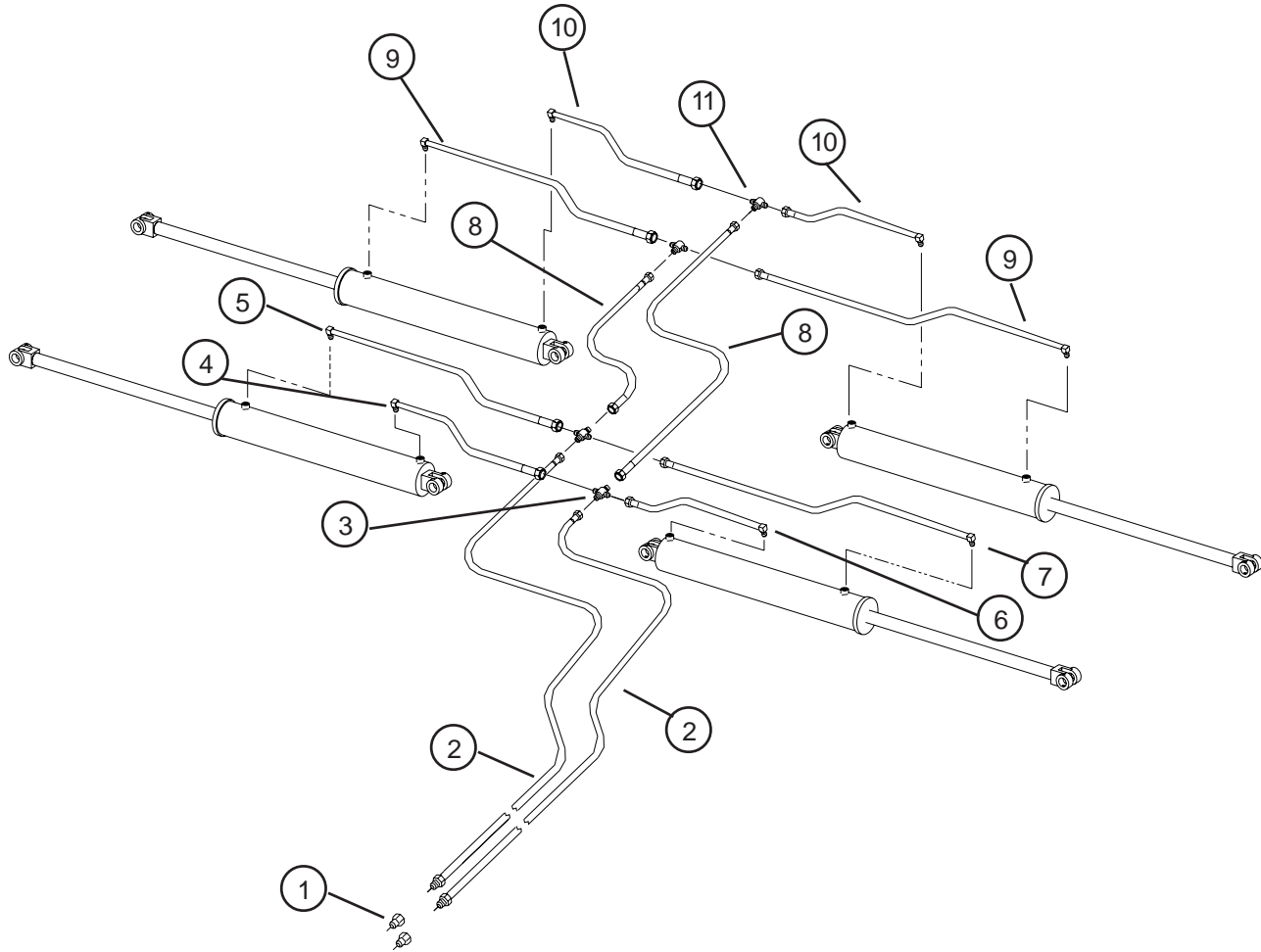


## HYDRAULICS - FOLDING HOSE (22FT-24FT-26FT)



| ITEM | PART NO. | DESCRIPTION              |
|------|----------|--------------------------|
| 1    | 60640    | QUICK DISCONNECT COUPLER |
| 2    | 243764   | 220" HOSE 8FJX-8MP       |
| 3    | 64346    | TEE 6MJ (3)              |
| 4    | 243775   | 36" HOSE 6FJX-8MBX90     |
| 5    | 243774   | 42" HOSE 6FJX-8MBX90     |
| 6    | 243765   | 263" HOSE 6FJX-8MBX90    |

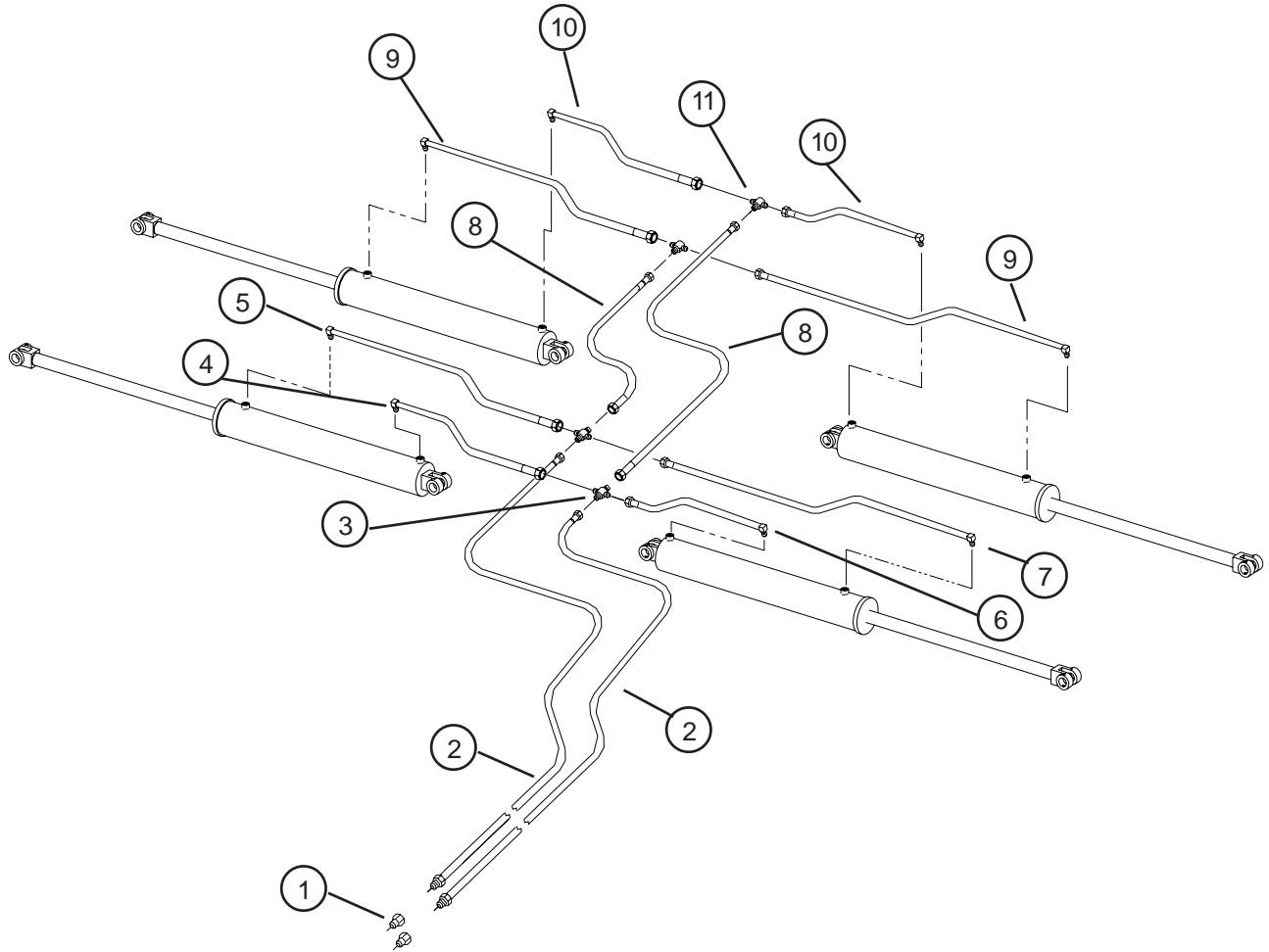
# HYDRAULICS - FOLDING HOSE (30FT)



| ITEM | PART NO. | DESCRIPTION              |
|------|----------|--------------------------|
| 1    | 60640    | QUICK DISCONNECT COUPLER |
| 2    | 243764   | 220" HOSE 8FJX-8MP       |
| 3    | 67130    | 6MJ CROSS                |
| 4    | 243775   | 36" HOSE 8MBX90-8MBX90   |
| 5    | 243775   | 36" HOSE 8MBX90-8MBX90   |
| 6    | 243774   | 43" HOSE 8MBX90-8MBX90   |
| 7    | 243772   | 70" HOSE 8MBX90-8MBX90   |
| 8    | 243770   | 241" HOSE 6FJX-6FX       |
| 9    | 243773   | 48" HOSE 6FJX-8MBX90     |
| 10   | 243776   | 20" HOSE 6FJX-8MBX90     |
| 11   | 64346    | TEE 6MJ (3)              |

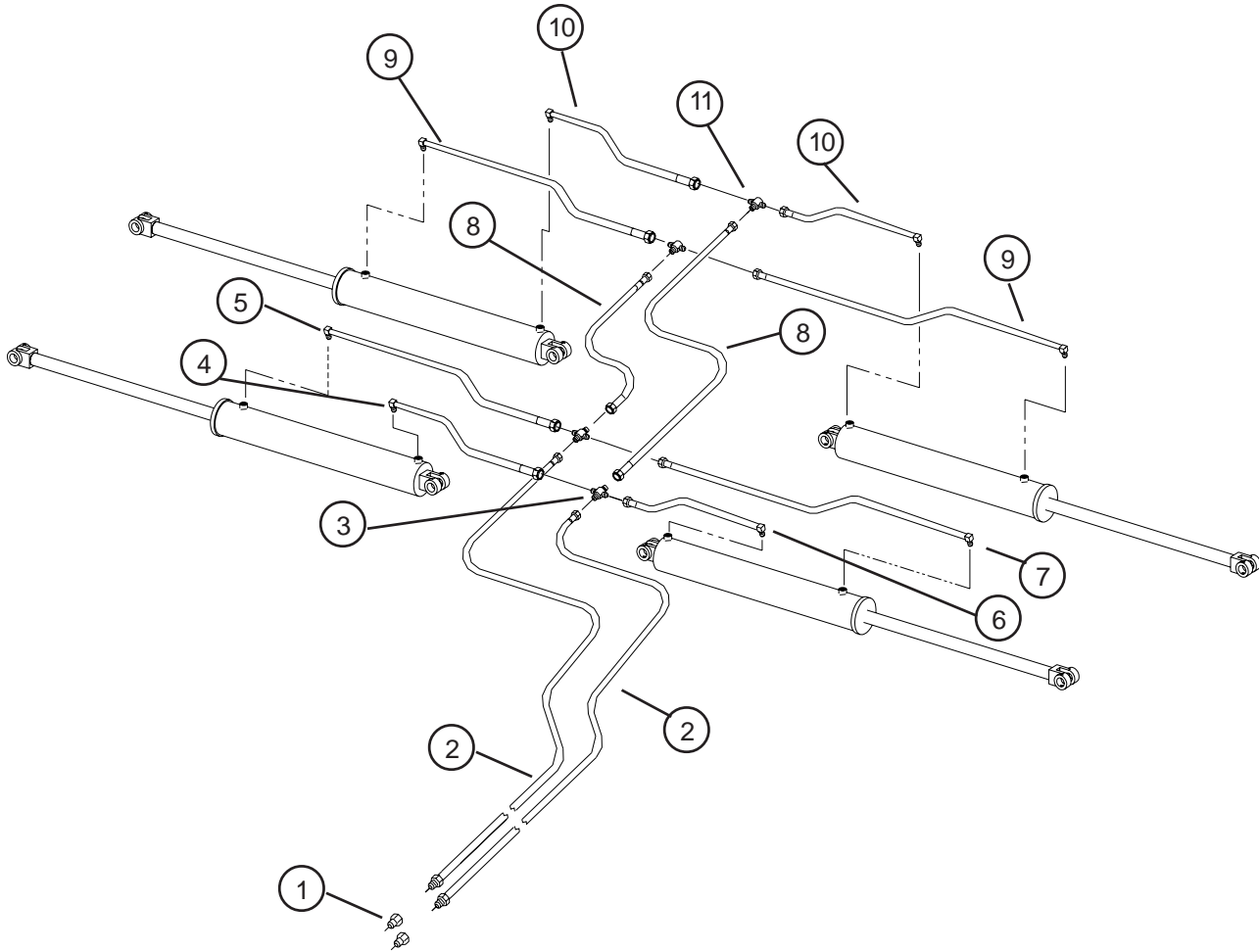


## HYDRAULICS - FOLDING HOSE (34FT-38FT NON-LNT)



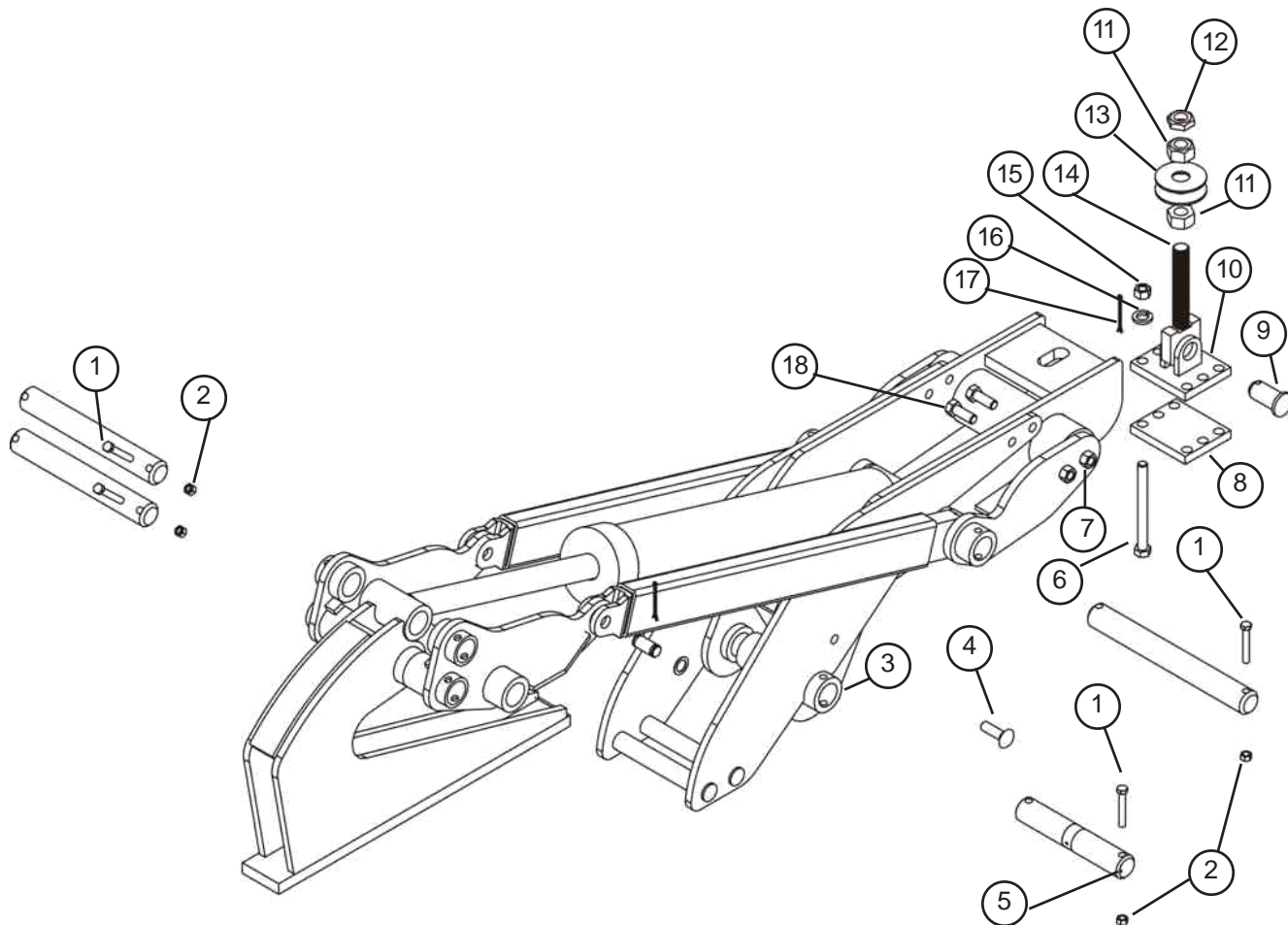
| ITEM | PART NO. | DESCRIPTION              |
|------|----------|--------------------------|
| 1    | 60640    | QUICK DISCONNECT COUPLER |
| 2    | 243764   | 220" HOSE 8FJX-8MP       |
| 3    | 67130    | 6MJ CROSS                |
| 4    | 243775   | 36" HOSE 8MBX90-8MBX90   |
| 5    | 243775   | 36" HOSE 8MBX90-8MBX90   |
| 6    | 243774   | 43" HOSE 8MBX90-8MBX90   |
| 7    | 243772   | 70" HOSE 8MBX90-8MBX90   |
| 8    | 243770   | 241" HOSE 6FJX-6FX       |
| 9    | 243773   | 48" HOSE 6FJX-8MBX90     |
| 10   | 243776   | 20" HOSE 6FJX-8MBX90     |
| 11   | 64346    | TEE 6MJ (3)              |

# HYDRAULICS - FOLDING HOSE (34FT-38FT LNT)



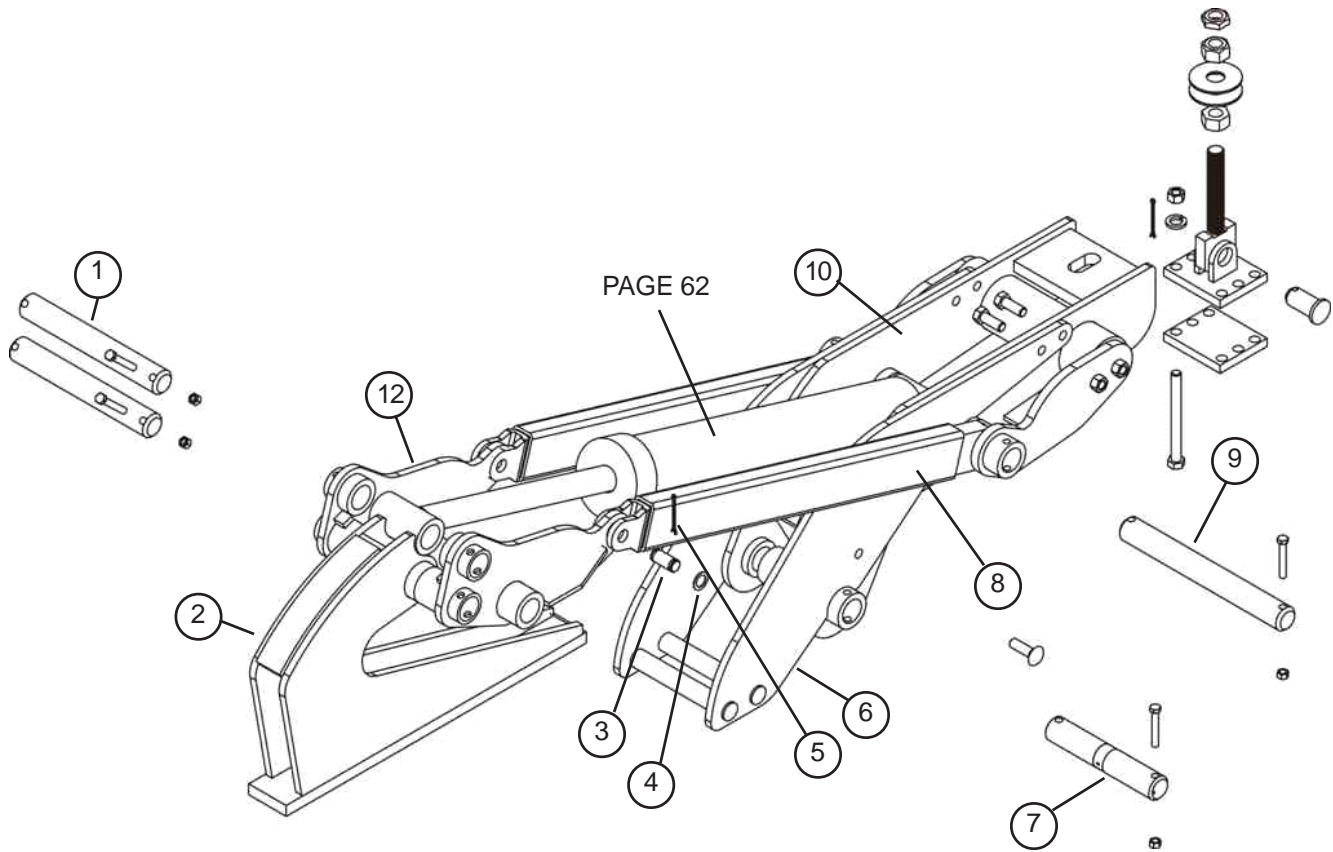
| ITEM | PART NO. | DESCRIPTION              |
|------|----------|--------------------------|
| 1    | 60640    | QUICK DISCONNECT COUPLER |
| 2    | 243764   | 220" HOSE 8FJX-8MP       |
| 3    | 67130    | 6MJ CROSS                |
| 4    | 243775   | 36" HOSE 8MBX90-8MBX90   |
| 5    | 243775   | 36" HOSE 8MBX90-8MBX90   |
| 6    | 350853   | 96" HOSE 8MBX90-8MBX90   |
| 7    | 350853   | 96" HOSE 8MBX90-8MBX90   |
| 8    | 243770   | 241" HOSE 6FJX-6FX       |
| 9    | 350848   | 62" HOSE 6FJX-8MBX90     |
| 10   | 350848   | 62" HOSE 6FJX-8MBX90     |
| 11   | 64346    | TEE 6MJ (3)              |

## OVER CENTER WING LOCK (COMMON PARTS) FOLDING OFFSET



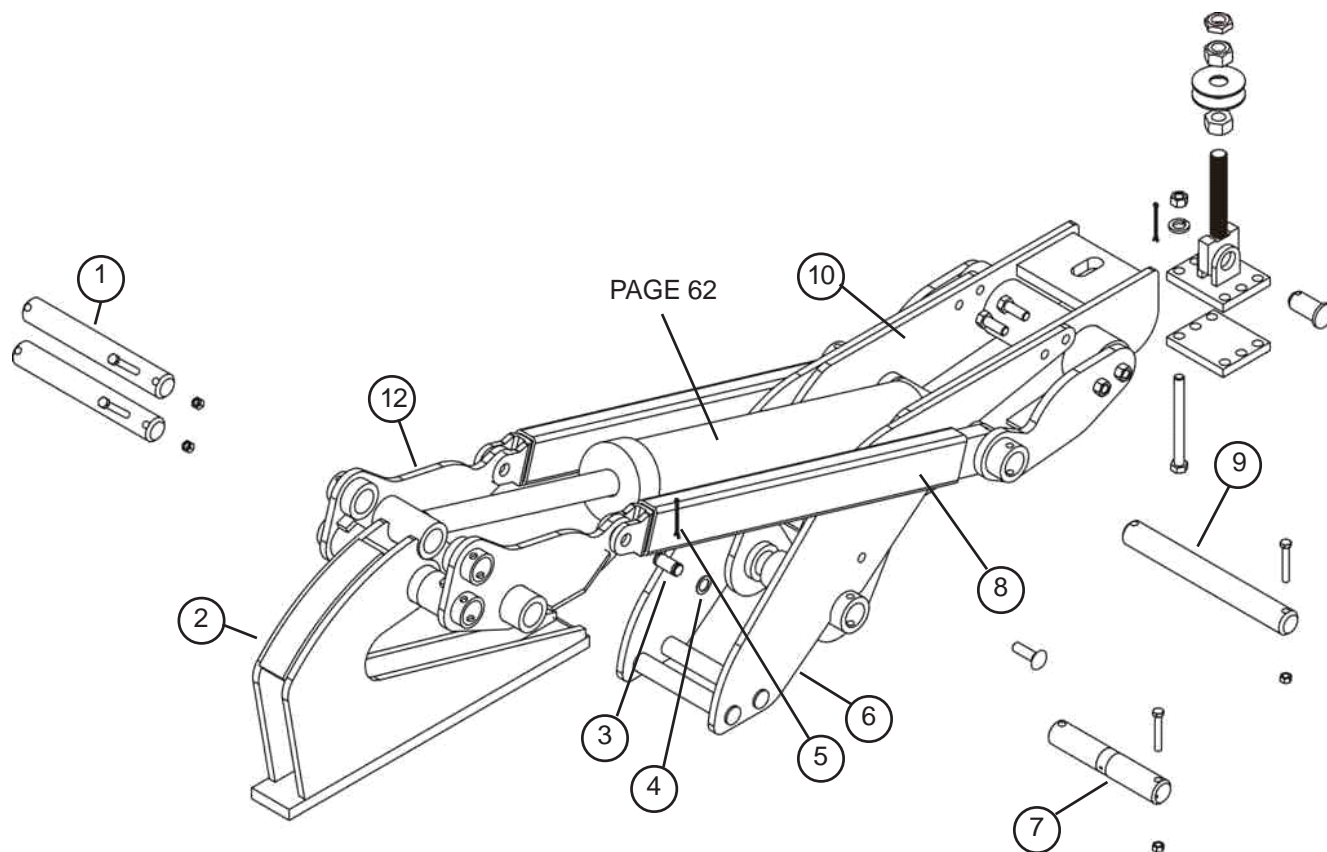
| ITEM | PART NO. | DESCRIPTION                        |
|------|----------|------------------------------------|
| 1    | 104947   | BOLT - 1/2" x 3"                   |
| 2    | 104946   | NUT - 1/2" TOP LOCK                |
| 3    | 105345   | COLLAR - WELDMENT                  |
| 4    | 107609   | CARRIAGE BOLT - 3/4" X 2"          |
| 5    | 104258   | GREASE FITTING - 1/4 X 28          |
| 6    | 1948     | BOLT - 3/4" X 9"                   |
| 7    | 107188   | NUT - 3/4" LOCK                    |
| 8    | 108346   | ATTACHING PLATE - 2013 AND EARLIER |
|      | 352763   | ATTACHING PLATE - 2013 AND LATER   |
| 9    | 104653   | PIN - 2013 AND EARLIER             |
|      | 352765   | PIN - 2013 AND LATER               |
| 10   | 104678   | ADJUST BASE - 2013 AND EARLIER     |
|      | 352762   | ADJUST BASE - 2013 AND LATER       |
| 11   | 104728   | NUT - 1-1/4"                       |
| 12   | 104780   | JAM NUT - 1-1/4"                   |
| 13   | 104781   | WASHER - 1-1/4" - 2013 AND EARLIER |
|      | 352766   | WASHER - 1-1/4" - 2013 AND LATER   |
| 14   | 104608   | ADJUST BOLT - 2013 AND EARLIER     |
|      | 352759   | ADJUST BOLT - 2013 AND LATER       |
| 15   | 1213     | NUT - 3/4"                         |
| 16   | 1212     | LOCK WASHER - 3/4"                 |
| 17   | 103690   | COTTER PIN - 3/8" X 3"             |
| 18   | 104338   | BOLT - 3/4" X 2"                   |

# OVER CENTER WING LOCK (SMALL 20FT-22FT) FOLDING OFFSET



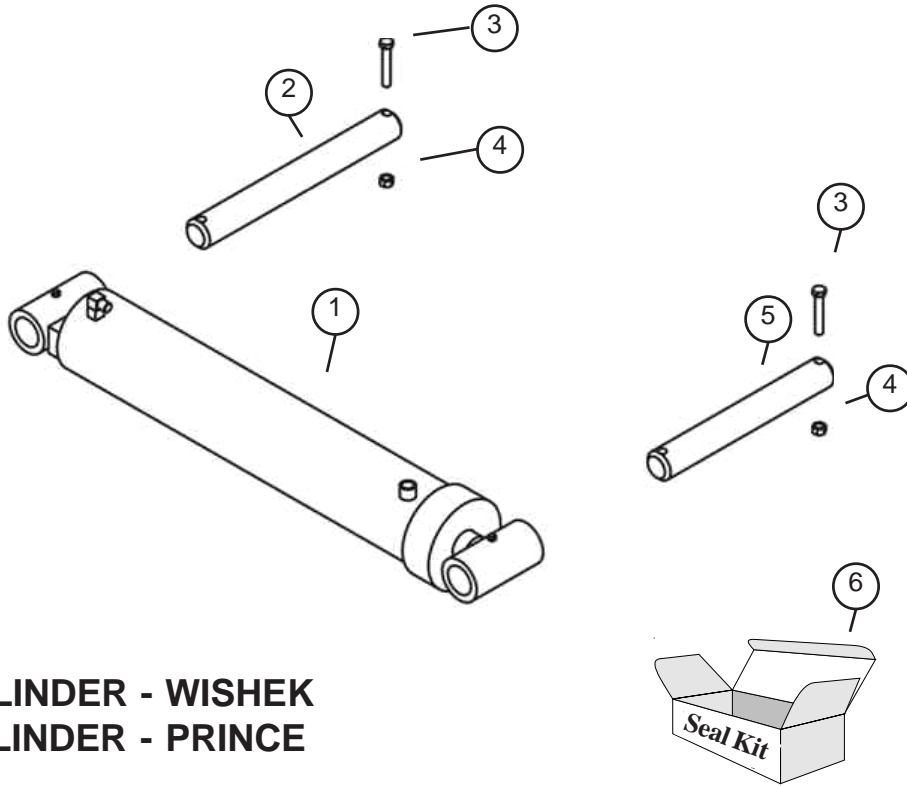
| ITEM | PART NO. | DESCRIPTION                                                  |
|------|----------|--------------------------------------------------------------|
| 1    | 105357   | PIN - 14-5/8"                                                |
| 2    | 105848   | TOWER ASSY - NOT SERVICED                                    |
|      | 351919   | TOWER ASSY - NOT SERVICED                                    |
| 3    | 1903     | PIN - 1" X 2-1/4" - 2013 AND EARLIER                         |
|      | 352767   | PIN - 1" X 4-1/8" - 2013 AND LATER                           |
| 4    | 107593   | WASHER 1" X 1-1/2" 18GA                                      |
| 5    | 103586   | COTTER PIN - 3/16" X 1-1/2"                                  |
| 6    | 105321   | SIDE PLATE - 2013 AND EARLIER                                |
|      | 351890   | SIDE PLATE - 2013 AND LATER                                  |
| 7    | 105359   | PIN - 11-1/4" W/GREASE FITTING                               |
| 8    | 105334   | CONTROL ARM - 2013 AND EARLIER                               |
|      | 351870   | CONTROL ARM - 2013 AND LATER                                 |
| 9    | 105358   | PIN - 17-1/16"                                               |
| 10   | 105348   | CYLINDER ANCHOR - WELDMENT - 2013 AND EARLIER                |
|      | 351895   | CYLINDER ANCHOR - WELDMENT - 2013 AND LATER                  |
| 11   | 105356   | CYLINDER - 5" X 20-1/8"                                      |
| 12   | 105343   | BELLCRANK ASSEMBLY - 2013 AND EARLIER                        |
|      | 351877   | BELLCRANK ASSEMBLY - 2013 AND LATER                          |
| 13   | 104771   | FRONT/REAR HINGE PINS - 8-1/4" 2013 AND EARLIER              |
|      | 352949   | FRONT/REAR HINGE PINS - 8-1/2" 2013 AND LATER<br>(NOT SHOWN) |

# OVER CENTER WING LOCK (LARGE 24FT-26FT) FOLDING OFFSET



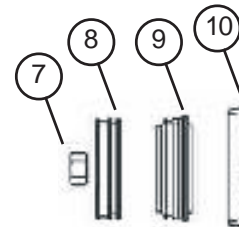
| ITEM | PART NO. | DESCRIPTION                                                  |
|------|----------|--------------------------------------------------------------|
| 1    | 105357   | PIN - 14-5/8"                                                |
| 2    | 104713   | TOWER ASSY - NOT SERVICED                                    |
|      | 351918   | TOWER ASSY - NOT SERVICED                                    |
| 3    | 1903     | PIN - 1" X 2-1/4" - 2013 AND EARLIER                         |
|      | 352767   | PIN - 1" X 4-1/8" - 2013 AND LATER                           |
| 4    | 107593   | WASHER 1" X 1-1/2" 18GA                                      |
| 5    | 103586   | COTTER PIN - 3/16" X 1-1/2"                                  |
| 6    | 104844   | SIDE PLATE - 2013 AND EARLIER                                |
|      | 351889   | SIDE PLATE - 2013 AND LATER                                  |
| 7    | 105359   | PIN - 11-1/4" W/GREASE FITTING                               |
| 8    | 104725   | CONTROL ARM - 2013 AND EARLIER                               |
|      | 351871   | CONTROL ARM - 2013 AND LATER                                 |
| 9    | 105358   | PIN - 17-1/16"                                               |
| 10   | 104742   | CYLINDER ANCHOR - 2013 AND EARLIER                           |
|      | 351894   | CYLINDER ANCHOR - 2013 AND LATER                             |
| 11   | 104692LH | 5X24.75 CYLINDER (LEFT)                                      |
|      | 104692RH | 5X24.5 CYLINDER (RIGHT)                                      |
| 12   | 104720   | BELLCRANK ASSY - 2013 AND EARLIER                            |
|      | 351876   | BELLCRANK ASSY - 2013 AND LATER                              |
| 13   | 104771   | FRONT/REAR HINGE PINS - 8-1/4" 2013 AND EARLIER              |
|      | 352949   | FRONT/REAR HINGE PINS - 8-1/2" 2013 AND LATER<br>(NOT SHOWN) |

# OVER CENTER WING LOCK WING FOLD CYLINDER FOLDING OFFSET

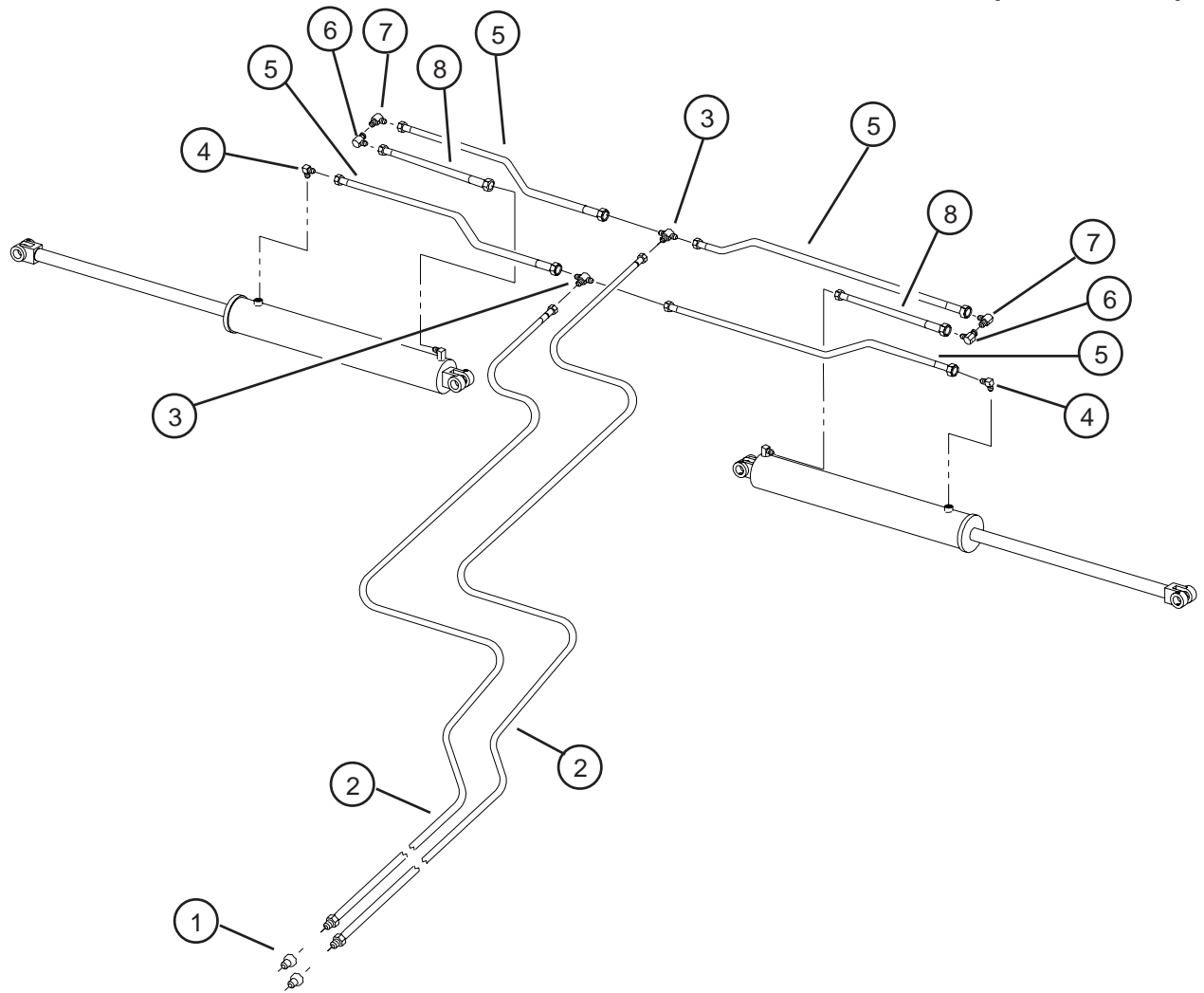


**NOTE:**  
**GREEN CYLINDER - WISHEK**  
**BLACK CYLINDER - PRINCE**

| ITEM | PART NO. | DESCRIPTION                                |
|------|----------|--------------------------------------------|
| 1    | 104692LH | COMPLETE CYLINDER 5" X 24-3/4" - 24' & 26' |
|      | 104692RH | COMPLETE CYLINDER 5" X 24-3/4" - 24' & 26' |
|      | 105356   | COMPLETE CYLINDER 5" X 20-1/8" - 20' & 22' |
| 2    | 105358   | PIN - 17-1/16"                             |
| 3    | 104947   | BOLT- 1/2" X 3"                            |
| 4    | 104946   | LOCKNUT 1/2"NC                             |
| 5    | 105357   | PIN - 14-5/8"                              |
| 6    | 104625   | SEAL KIT - 5" - WISHEK                     |
|      | 108339   | SEAL KIT - 5" - PRINCE                     |
| 7    | 104606   | LOCKNUT 1-1/2-12 - WISHEK                  |
|      | 108606   | LOCKNUT 1-3/4-12 - PRINCE                  |
| 8    | 107255   | 5" PISTON - WISHEK                         |
|      | 108602   | 5" PISTON - PRINCE                         |
| 9    | 104582   | 5" HEADGLAND - WISHEK                      |
|      | 108603   | 5" HEADGLAND - PRINCE                      |
| 10   | 104581   | 5" CYLINDER NUT - WISHEK                   |
|      | 108604   | 5" CYLINDER NUT - PRINCE                   |

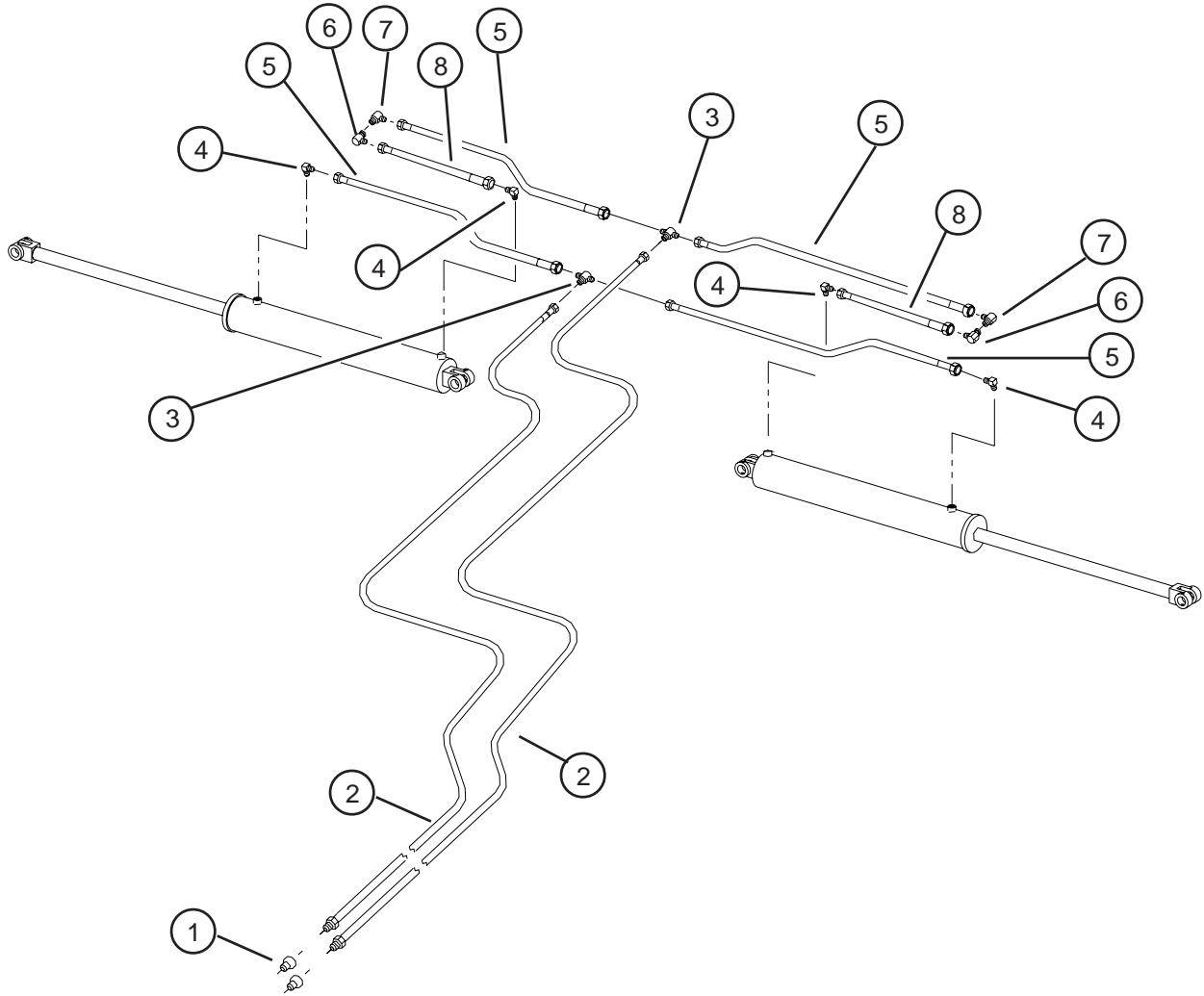


## HYDRAULICS - FOLDING HOSE (20FT-22FT)



| ITEM | PART NO. | DESCRIPTION              |
|------|----------|--------------------------|
| 1    | 60640    | QUICK DISCONNECT COUPLER |
| 2    | 350854   | 3/16" HOSE 8FJX-8MP      |
| 3    | 64346    | TEE 6MJ (3)              |
| 4    | 105161   | 6MJ X 8MORB ELB          |
| 5    | 350857   | 65" HOSE 6FJX X 6FJX     |
| 6    | 238202   | 6MJ X 6FJX ELB           |
| 7    | 351710   | 6MJ X 6MJ ELB            |
| 8    | 350862   | 14" HOSE 6FJX-6FX        |

# HYDRAULICS - FOLDING HOSE (24FT-26FT)

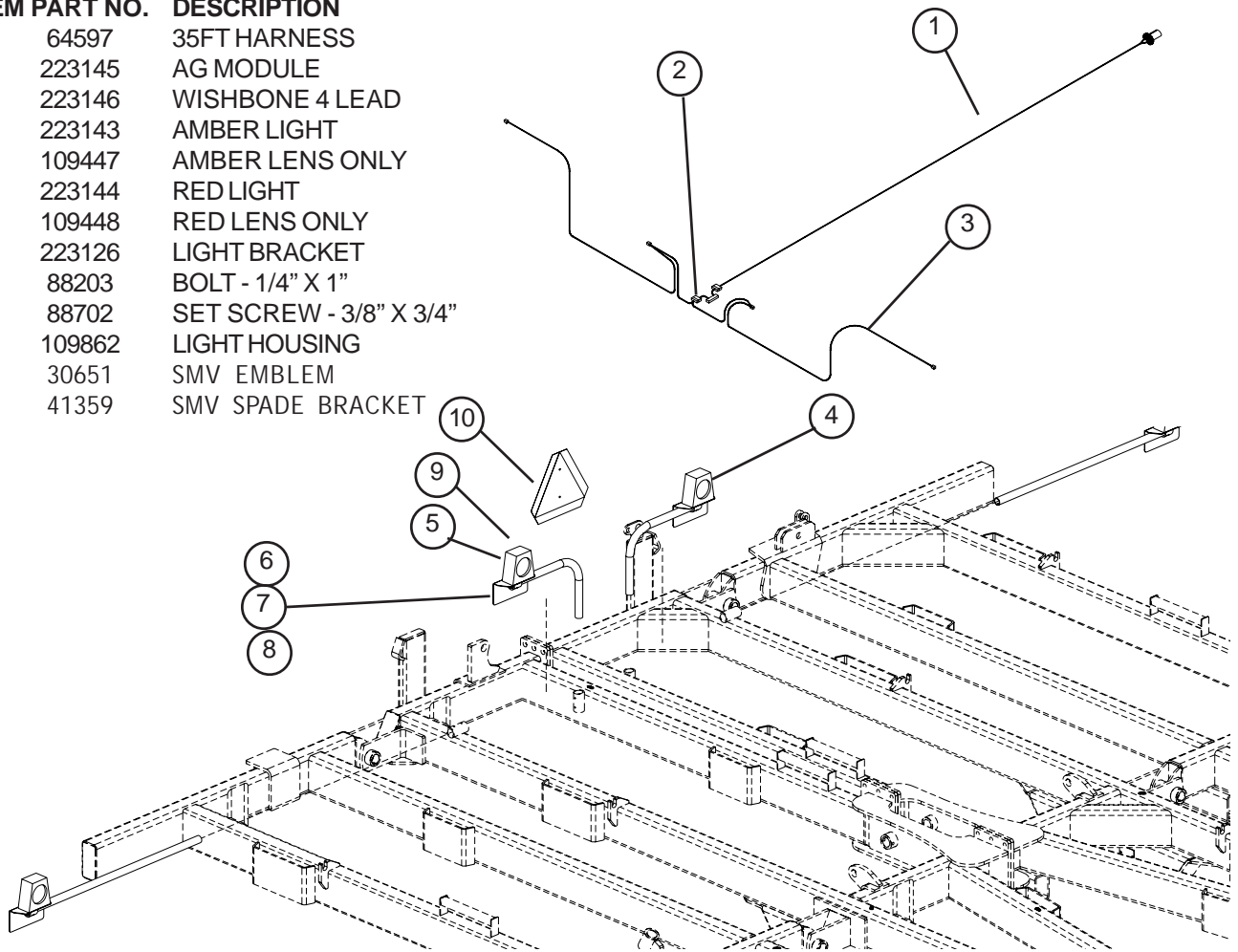


| ITEM | PART NO. | DESCRIPTION              |
|------|----------|--------------------------|
| 1    | 60640    | QUICK DISCONNECT COUPLER |
| 2    | 350854   | 316" HOSE 8FJX-8MP       |
| 3    | 64346    | TEE 6MJ (3)              |
| 4    | 105161   | 6MJ X 8MORB ELB          |
| 5    | 350857   | 65" HOSE 6FJX X 6FJX     |
| 6    | 238202   | 6MJ X 6FJX ELB           |
| 7    | 351710   | 6MJ X 6MJ ELB            |
| 8    | 350862   | 18" HOSE 6FJX-6FX        |



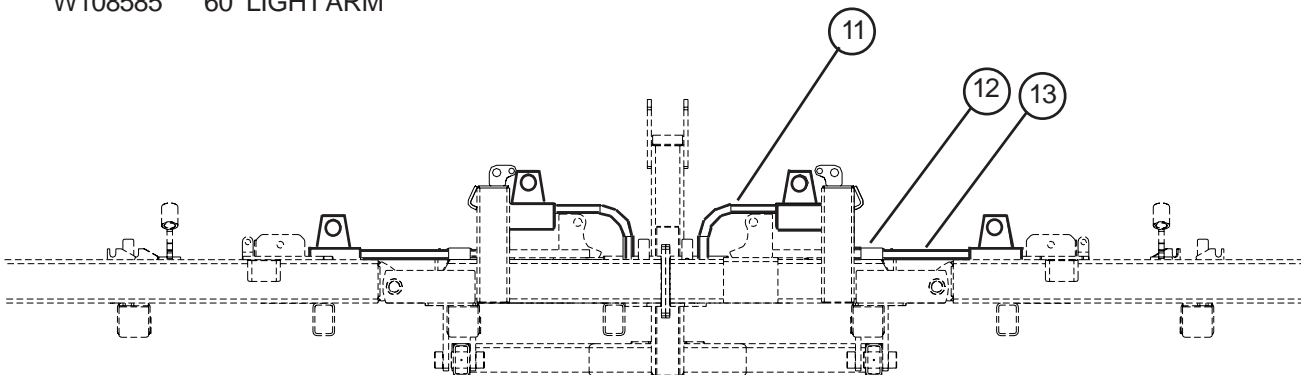
# LIGHT KIT

| ITEM | PART NO. | DESCRIPTION             |
|------|----------|-------------------------|
| 1    | 64597    | 35FT HARNESS            |
| 2    | 223145   | AG MODULE               |
| 3    | 223146   | WISHBONE 4 LEAD         |
| 4    | 223143   | AMBER LIGHT             |
|      | 109447   | AMBER LENS ONLY         |
| 5    | 223144   | RED LIGHT               |
|      | 109448   | RED LENS ONLY           |
| 6    | 223126   | LIGHT BRACKET           |
| 7    | 88203    | BOLT - 1/4" X 1"        |
| 8    | 88702    | SET SCREW - 3/8" X 3/4" |
| 9    | 109862   | LIGHT HOUSING           |
| 10   | 30651    | SMV EMBLEM              |
|      | 41359    | SMV SPADE BRACKET       |

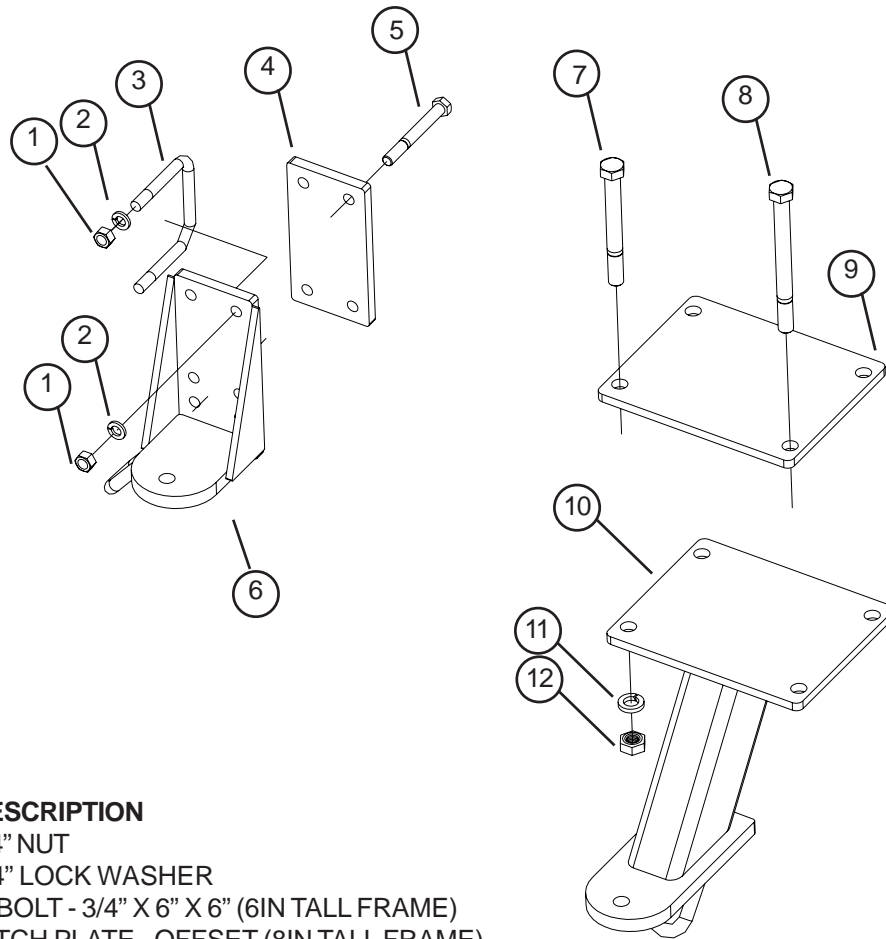


700580

| ITEM | PART NO. | DESCRIPTION                    |
|------|----------|--------------------------------|
| 11   | W108527  | 10" X 19" LIGHT ARM            |
|      | W109223  | 19" X 56" LIGHT ARM            |
| 12   | W108720  | LIGHT BASE (NON-WINGED MODELS) |
| 13   | W108721  | 18" LIGHT ARM                  |
|      | W108529  | 36" LIGHT ARM                  |
|      | W108528  | 48" LIGHT ARM                  |
|      | W108585  | 60" LIGHT ARM                  |

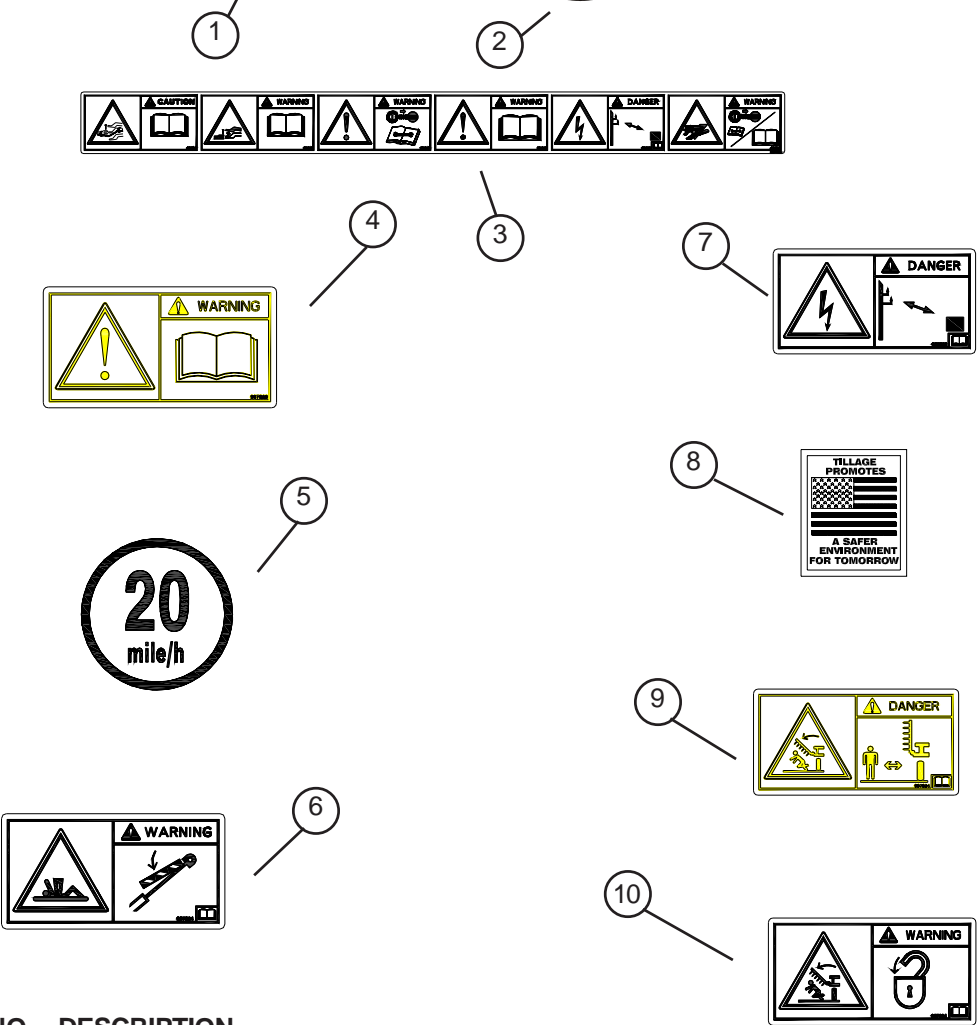


# REAR HITCHES



| ITEM | PART NO. | DESCRIPTION                              |
|------|----------|------------------------------------------|
| 1    | 88110    | 3/4" NUT                                 |
| 2    | 88130    | 3/4" LOCK WASHER                         |
| 3    | 1702     | U-BOLT - 3/4" X 6" X 6" (6IN TALL FRAME) |
| 4    | 350177   | HITCH PLATE - OFFSET (8IN TALL FRAME)    |
| 5    | 89130    | 3/4" X 6-1/2" 5Z BOLT                    |
| 6    | 350190   | CAT HITCH (NON-FOLD)                     |
|      | 350191   | CLEVIS HITCH (NON-FOLD)                  |
| 7    | 88668    | 1" X 9" 5Z BOLT (FOLDING OFFSET)         |
| 8    | 88903    | 1" X 11" 5 Z BOLT (ALL TANDEM)           |
| 9    | 350174   | HITCH PLATE (FOLDING OFFSET)             |
|      | 350173   | HITCH PLATE (TANDEM)                     |
| 10   | 350188   | CAT HITCH (FOLDING OFFSET)               |
|      | 350189   | CLEVIS HITCH (FOLDING OFFSET)            |
|      | 350186   | CAT HITCH (NON-FOLD TANDEM)              |
|      | 350187   | CLEVIS HITCH (NON-FOLD TANDEM)           |
|      | 350184   | CAT HITCH (FOLDING TANDEM)               |
|      | 350185   | CLEVIS HITCH (FOLDING TANDEM)            |
| 11   | 88617    | 1" LOCK WASHER                           |
| 12   | 88125    | 1" NUT                                   |

# 862NT Wishek



| ITEM | PART NO. | DESCRIPTION               |
|------|----------|---------------------------|
| 1    | 243348   | 862NT MODEL DECAL (SHOWN) |
|      | 243349   | 842NT MODEL DECAL         |
|      | 243350   | 814NT MODEL DECAL         |
|      | 356232   | 814LNT MODEL DECAL        |
|      | 243351   | 816NT MODEL DECAL         |
|      | 356233   | 816LNT MODEL DECAL        |
|      | 244789   | 842LNT MODEL DECAL        |
|      | 244790   | 862LNT MODEL DECAL        |
|      | 244791   | 812N MODEL DECAL          |
|      | 244792   | 842N MODEL DECAL          |
|      | 244794   | 742NT MODEL DECAL         |
|      | 244795   | 612N MODEL DECAL          |
|      | 244796   | 714NT MODEL DECAL         |
|      | 245886   | 862N MODEL DECAL          |

| ITEM | PART NO. | DESCRIPTION                     |
|------|----------|---------------------------------|
| 2    | 243346   | WISHEK DECAL                    |
| 3    | 9971163  | DECAL SAFETY SET                |
| 4    | 997860   | DECAL READ MANUAL WARNING       |
| 5    | 9971018  | DECAL SPEED SIGN 20 MILE/HR     |
| 6    | 997864   | DECAL LOCKOUT WARNING           |
| 7    | 997862   | DECAL HIGH VOLTAGE DANGER       |
| 8    | 997263   | DECAL TILLAGE PROMOTES          |
| 9    | 997854   | DECAL FOLDING WINGS DANGER      |
| 10   | 997994   | DECAL INSTALL LOCK PINS WARNING |

# MISCELLANEOUS



| ITEM | PART NO. | DESCRIPTION            |
|------|----------|------------------------|
| 1    | 103612   | GREEN PAINT            |
| 2    | 104446   | YELLOW PAINT           |
| 3    | 107660   | BLACK PAINT            |
| 4    | 107633   | RED PAINT - JI CASE    |
|      | 351481   | RED PAINT - MF50       |
| 5    | 240799   | 460ep GREASE (10 PACK) |

