



ASSEMBLY, ADJUSTMENT & PARTS

MOUNTED HEAVY DUTY COIL TINE HARROW/BASKET FOR WISHEK DISCS

 **WIL-RICH**

PO Box 1030
Wahpeton, ND 58074
PH (701) 642-2621
Fax (701) 642-3372

PERSONAL SAFETY IS IMPORTANT!

ALL PERSONNEL INVOLVED WITH THE ASSEMBLY AND/OR OPERATION OF THIS EQUIPMENT MUST BE INFORMED OF PROPER SAFETY PROCEDURES. OPERATOR'S AND ASSEMBLY MANUALS PROVIDE THE NECESSARY INFORMATION. IF THE MANUAL IS LOST FOR A PARTICULAR IMPLEMENT, ORDER A REPLACEMENT AT ONCE. OPERATOR'S AND ASSEMBLY MANUALS ARE AVAILABLE AT NO CHARGE UPON REQUEST.

ADDRESS INQUIRIES TO:

WIL-RICH

PO BOX 1030

WAHPETON, ND 58074

PH (701)642-2621 FAX (701)642-3372

ASSEMBLY INFORMATION

Remove all wires and arrange the parts conveniently.

NOTE: Always wear safety glasses or goggles and be careful when cutting wires and steel bands as they are under tension and will spring back when cut.

Wherever the terms "left" and "right" are used, it must be understood to mean from a position behind and facing the machine.

Lubricate all bearings and moving parts as you proceed and make sure they work freely.

Loosely install all bolts connecting mating parts before final tightening.

When tightening bolts, they must be torqued to the proper number of foot-pounds as indicated in the table unless specified. It is important that all bolts be kept tight.

On new machines, all nuts and bolts must be re-checked after a few hours of operation.

When replacing a bolt, use only a bolt of the same grade or higher. Except in shear bolt applications, where you must use the same grade bolt.

Bolts with no markings are grade 2

Grade 5 bolts furnished with the machine are identified by three radial lines on the head.

Grade 8 bolts furnished with the machine are identified by six radial lines on the head.

All U-bolts are grade 5.



THIS SYMBOL USED TO CALL YOUR ATTENTION TO INSTRUCTIONS CONCERNING YOUR PERSONAL SAFETY.

BE SURE TO OBSERVE AND FOLLOW THESE INSTRUCTIONS

	GRADE 2		GRADE 5			GRADE 8	
TORQUE IN FOOT POUNDS							
BOLT DIA	3/8	1/2	5/8	3/4	7/8	1	
HEX HEAD	9/16	3/4	15/16	1-1/8	1-5/1	1-1/2	
UNC GR2	18	45	89	160	252	320	
UNC GR5	30	68	140	240	360	544	
UNC GR8	40	100	196	340	528	792	
UNF GR2	21	51	102	178	272	368	
UNF GR5	32	70	168	264	392	572	
UNF GR8	48	112	216	368	792	840	

CAUTION

TO AVOID INJURY AND/OR MACHINE DAMAGE:

- Refer to Operator's Manual for safety instructions.
- Do not stand or climb on machine when operating.
- Use clean hazard flashers and SMV sign when transporting.
- Observe highway traffic regulations.

23325

CAUTION

Failure to follow these instructions may result in personal injury and/or equipment damage.

- Just before and during operation be sure no one is on or around the implement.
- Before activating the hydraulic system, check hoses for proper connections.
- Before lowering the wings for the first time, make sure the entire system has been charged with oil.
- With wings down always install hydraulic cylinder channel lock(s) for transporting.

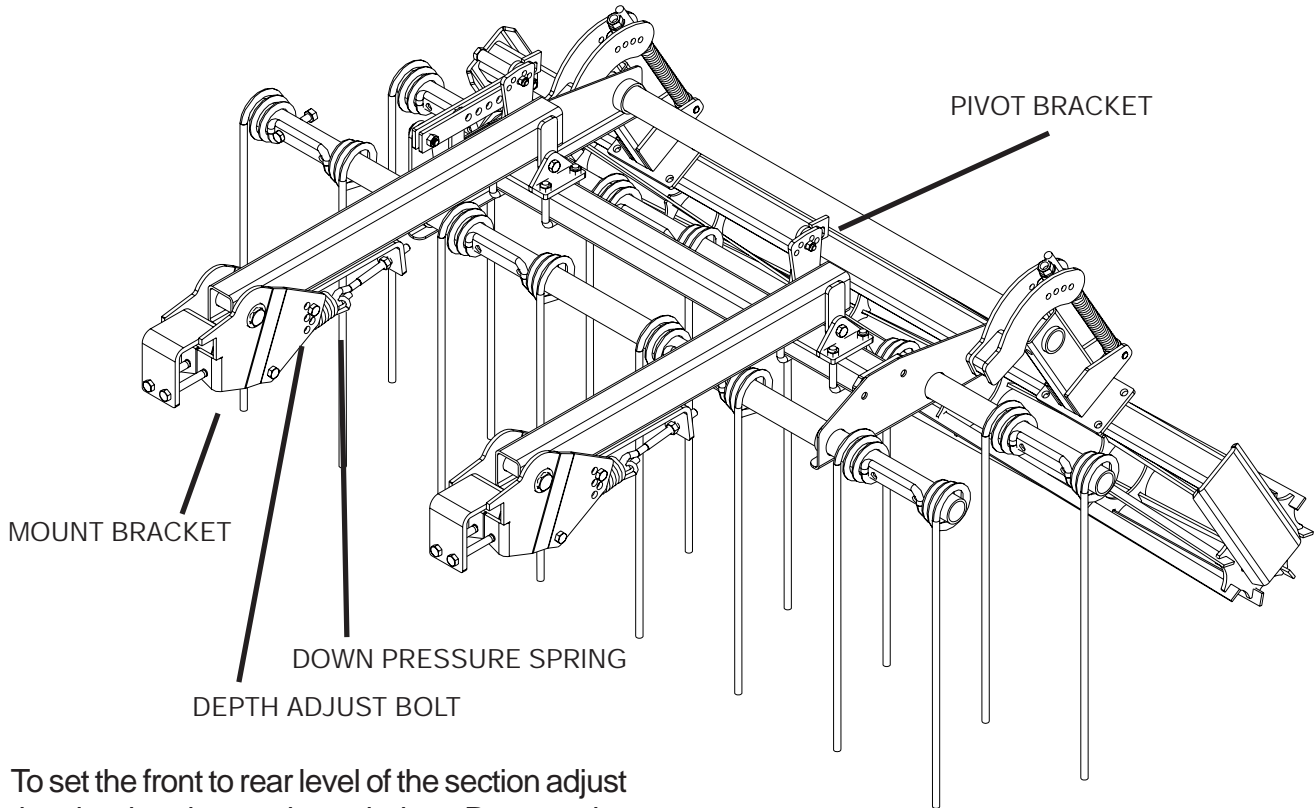
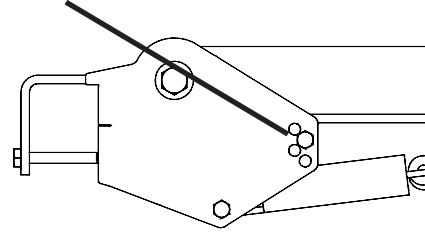
54374

HARROW OPERATION

SECTION LEVEL ADJUSTMENT

To set the harrow working depth, first set the chisel plow to its working position. Remove the 5/8NCx5 GR5 bolt and relocate as required. The section should be set to run 3" to 5" deep in the working position.

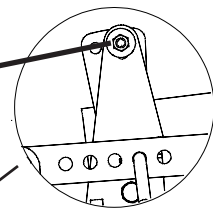
DEPTH ADJUSTMENT BOLT



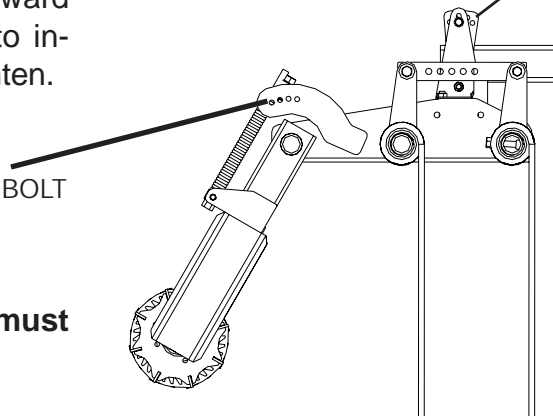
To set the front to rear level of the section adjust the pivot bracket as shown below. Remove the 1/2NCx1-1/2 GR5 bolts and rotate the section until the section is level. Reinstall bolts and tighten to specified torque.

To adjust basket pressure move remove 1/2NCx3GR5 bolts and move casting forward to decrease pressure and backward to increase pressure. Reinstall bolts and tighten.

1/2NCx1-1/2 GR5 BOLT

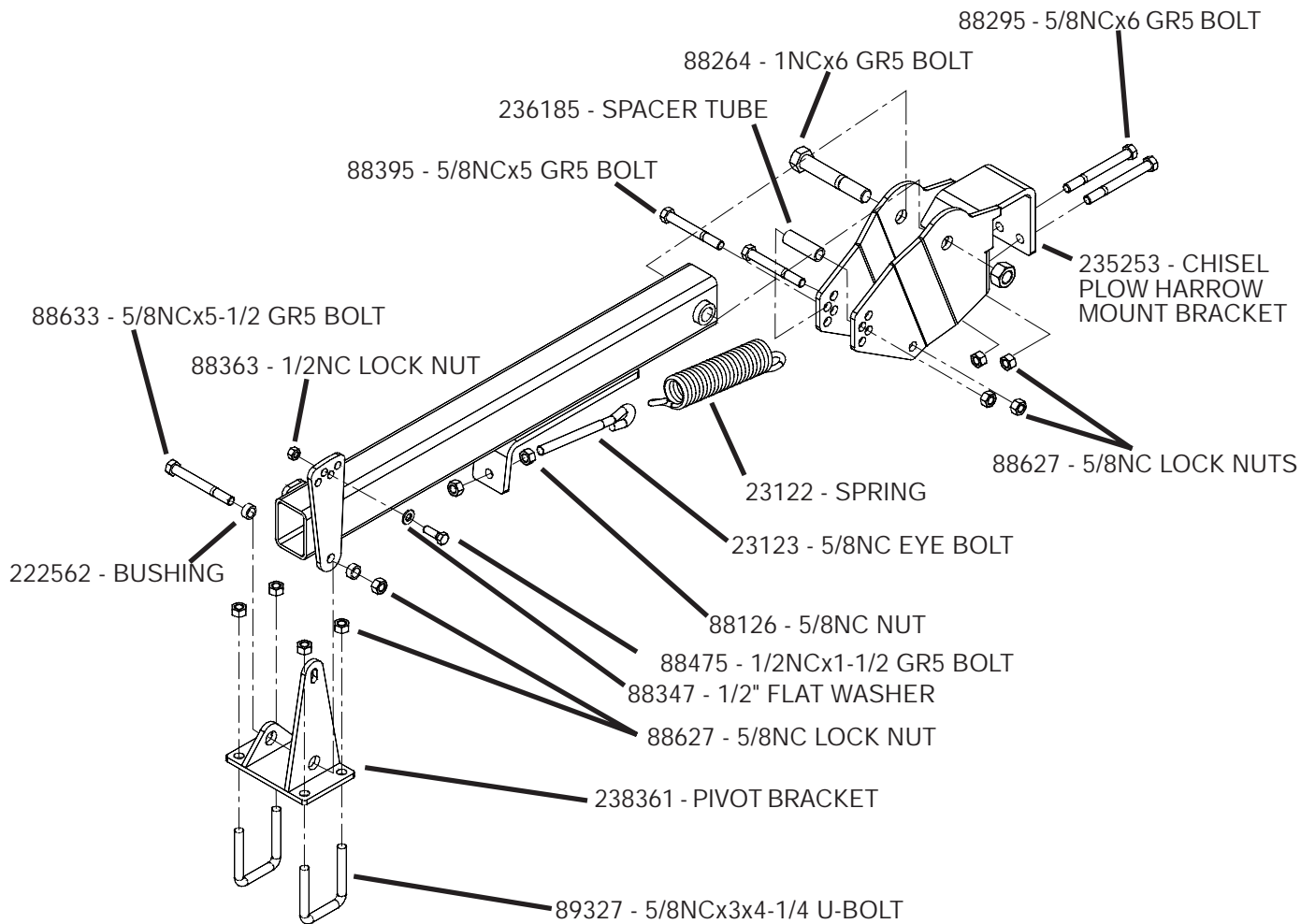


1/2NCx3 GR5 BOLT

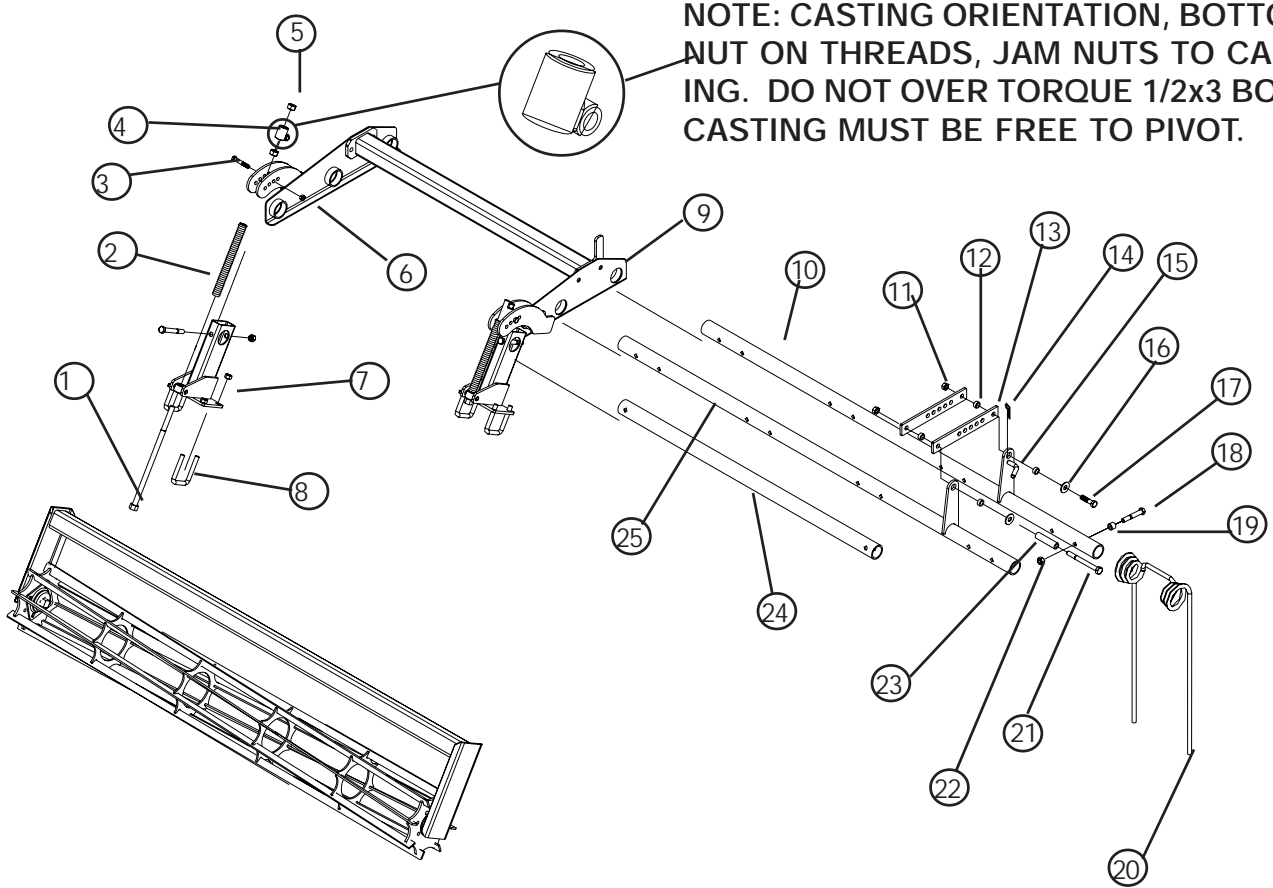


NOTE: Do not over tighten, casting must be free to pivot.

HARROW ARM/PIVOT BRACKET ASSEMBLY



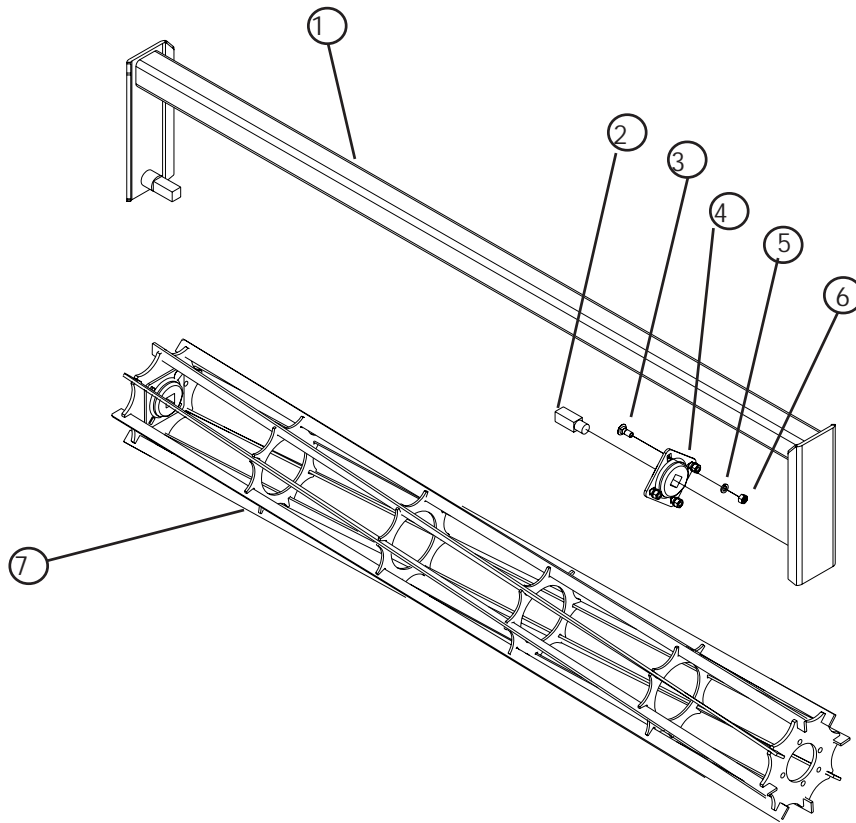
HARROW SECTION ASSEMBLY



ITEM	PART NO.	DESCRIPTION
1	67076	3/4-10NCx16.5 SPECIAL BOLT
2	68581	COMPRESSION SPRING
3	88541	1/2-13NCx3 BOLT
4	221981	MOUNT CASTING
5	88110	3/4NC NUT
6	88363	1/2NC LOCK NUT
7	88627	5/8NC NLK NUT
8	89327	5/8NCx3x4 U-BOLT
9	245393	8FT HARROW MOUNT WELD
	245392	6FT HARROW MOUNT WELD
	245391	4FT HARROW MOUNT WELD
10	244289	8FT FRONT HARROW TUBE
	244287	6FT FRONT HARROW TUBE
	244285	4FT FRONT HARROW TUBE
11	88627	5/8NC NLK NUT
12	200479	BUSHING
13	222575	INNER ADJUST BAR
14	23039	HAIR PIN
15	32871	5/8x1-3/8 BENT PIN
16	88277	5/8 FLAT WASHER

ITEM	PART NO.	DESCRIPTION
17	88409	5/8NCx2-1/2 GR5 BOLT
18	88298	5/8NCx4 GR5 BOLT
		QTY - 24-8FT
		18-6FT
		12-4FT
19	200479	BUSHING
20	236087	26" H.D. HARROW TOOTH
		QTY - 12/ 8FT SEC
		9/ 6FT SEC
		3/ 4FT SEC
21	88383	5/8-11NCx7 BOLT
22	88845	5/8 TOP LOCK NUT
23	22521	SPACER TUBE
24	244295	8FT BASKET TUBE
	244294	6FT BASKET TUBE
	243629	4FT BASKET TUBE
25	244290	8FT REAR HARROW TUBE
	244288	6FT REAR HARROW TUBE
	244286	4FT REAR HARROW TUBE

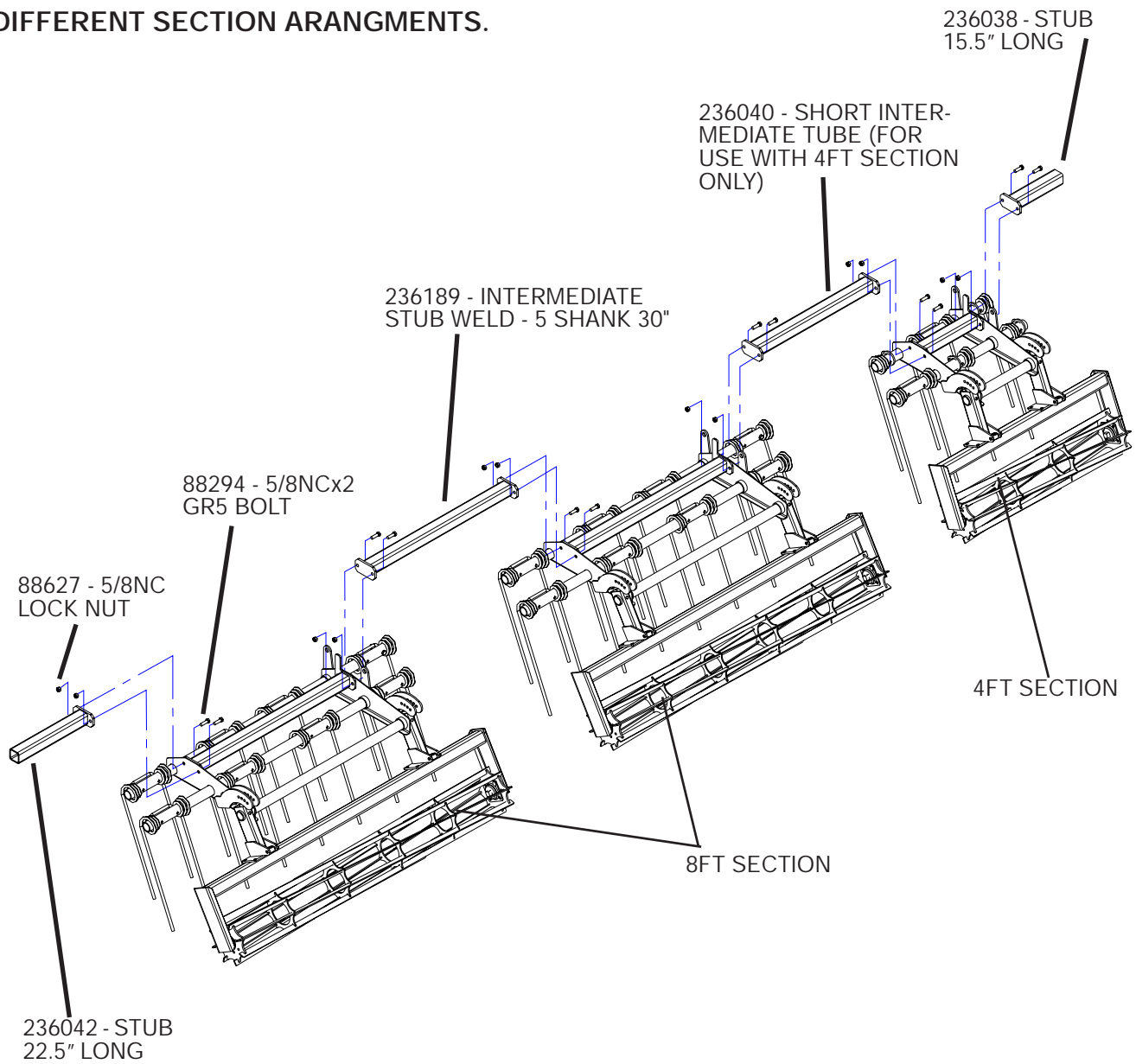
BASKET SECTION ASSEMBLY



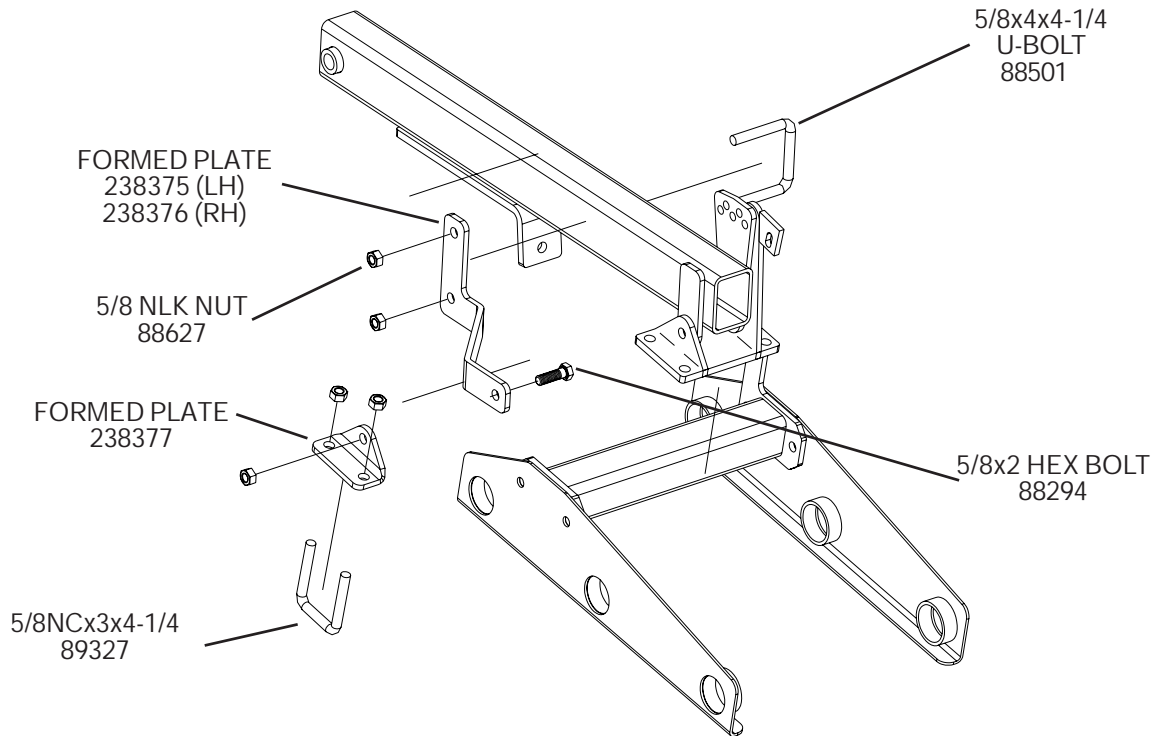
ITEM	PART NO.	DESCRIPTION
1	245334	7-1/2FT BASKET MNT
	245333	6FT BASKET MNT
	245332	4-1/2FT BASKET MNT
2	244410	SQUARE BASKET BOLT
3	88417	1/2-13NCx1-1/4 CRG BLT
4	244415	FLANGED BEARING
5	88303	1/2 LOCK WASHER
6	88104	1/2 NUT
7	244299	7-1/2FT FB BASKET
	244298	6FT FB BASKET
	244297	4-1/2FT FB BASKET

INTERMEDIATE TUBE ASSEMBLY

NOTE: THIS IS FOR GENERAL ASSEMBLY INSTRUCTIONS. HARROWS CAN HAVE DIFFERENT SECTION ARANGMENTS.



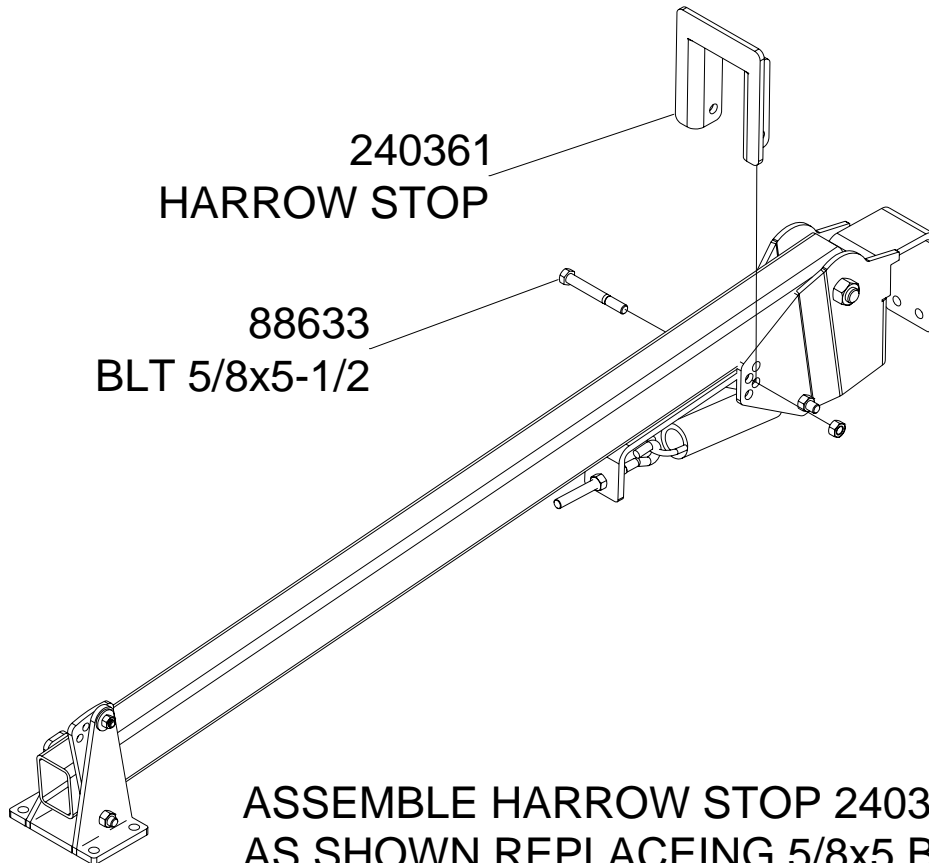
SINGLE HARROW ARM SUPPORT ASSEMBLY



700158

THIS KIT IS DESIGNED TO BE USED ON HARROW SECTION THAT ARE SUPPORTED WITH ONE ARM. USUALLY THEY ARE 4FT SECTION ON OUTER WINGS OF MACHINES

HARROW STOP ARM ASSEMBLY



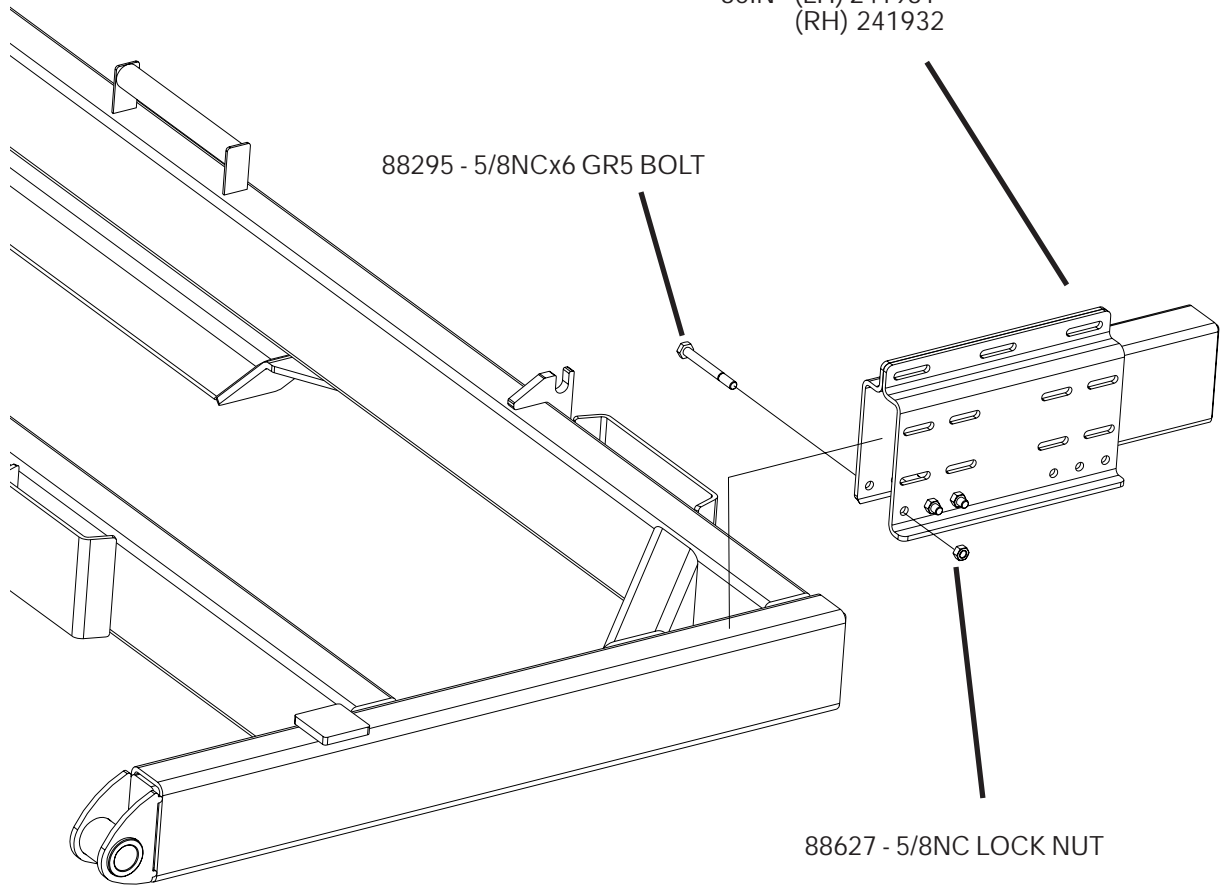
ASSEMBLE HARROW STOP 240361
AS SHOWN REPLACEING 5/8x5 BOLT
WITH BOLT SUPPLIED. THIS SHOULD BE
DONE ON OUTER WINGS TO PREVENT
HARROW DAMAGE.

BOLT-ON FRAME EXTENSION

BOLT-ON FRAME EXTENSION
8IN - (LH) 241916
(RH) 241917

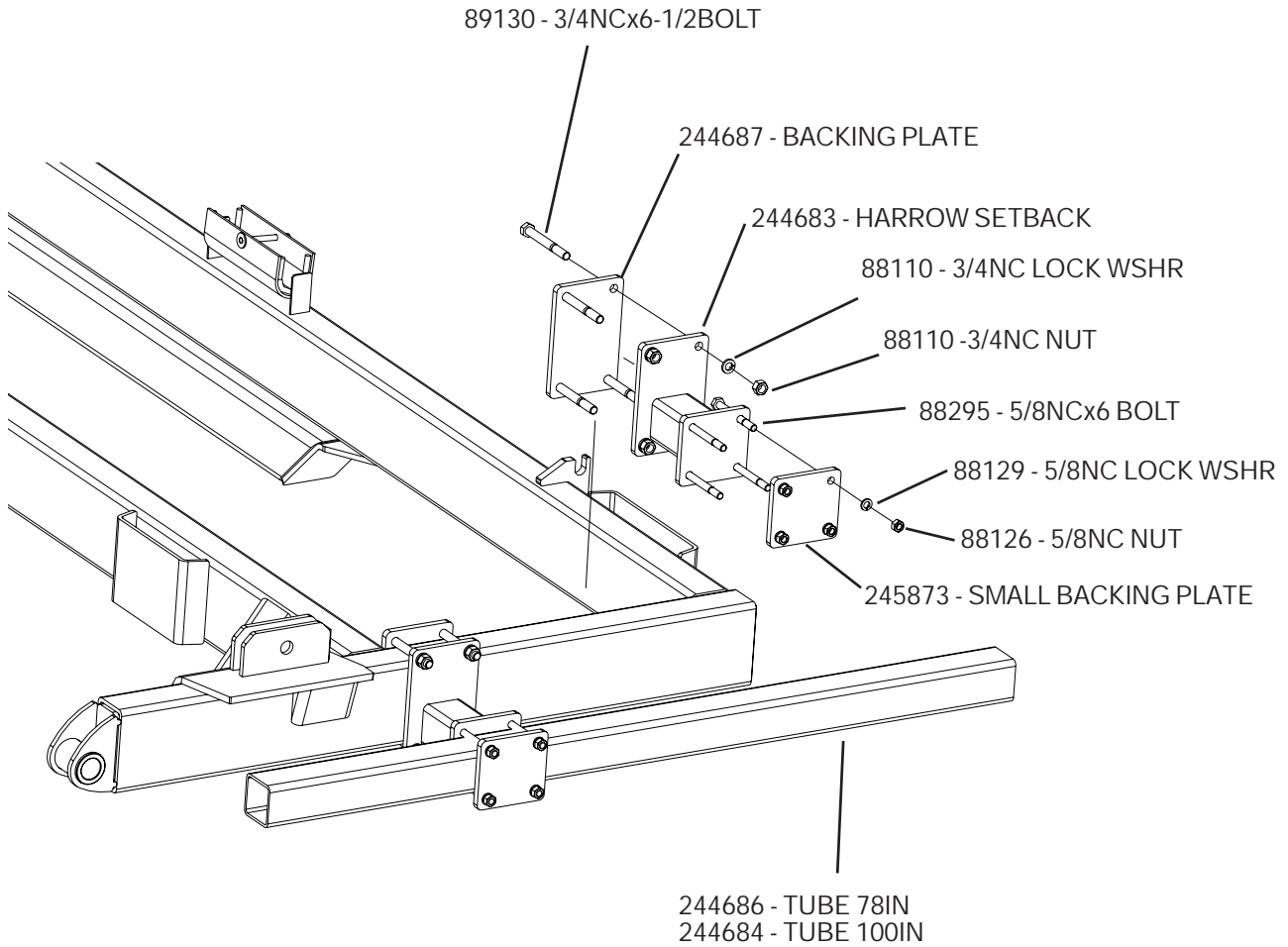
16IN - (LH) 241924
(RH) 241925

30IN - (LH) 241931
(RH) 241932



ADD-ON REAR FRAME

**NOTE: LONG END
FORWARD ON
DROPDOWN,
ANGLED END UP**



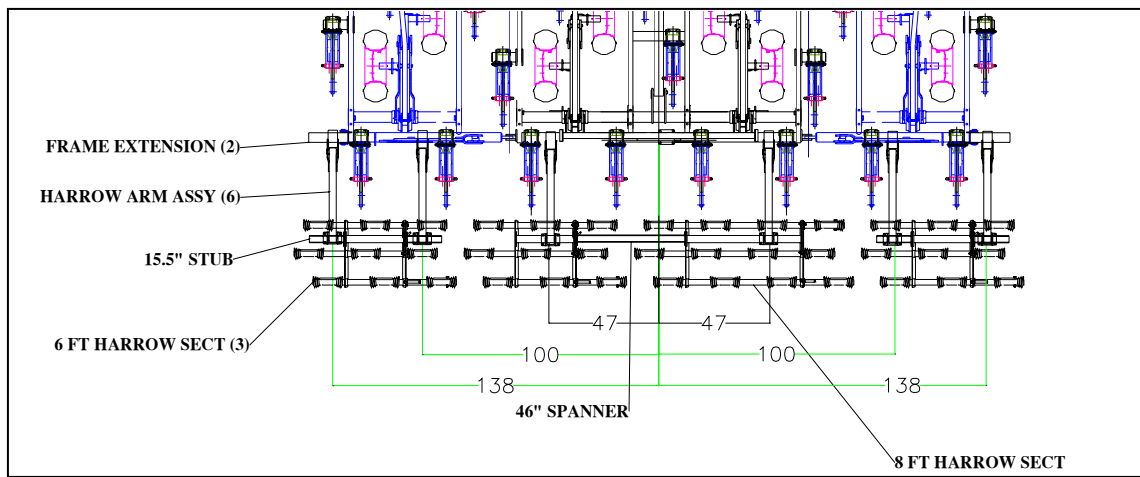
800NT SERIES WISHEK DISK HARROW MOUNTING CHART

DISK MODEL	FRAME EXTENSIONS	WINGS	MAIN FRAME			WINGS	FRAME EXTENSION				
			SECTION	STUBS	SPANNERS & EXT						
14 disk	EXT		8ft	46"SP	8ft		EXT				
			52		52						
16 disk	EXT		6ft	46"SP	6ft	46"SP	6ft	EXT			
			52	8	52						
18 disk	EXT		6ft	46"SP	8ft	46"SP	6ft	EXT			
			72	22	22	72					
22 disk		8ft			8ft		8ft				
		110		22	22		92	110			
24 disk	EXT	8ft	6ft	38"SP	4ft	8ft		EXT			
		134		27	27		99	134			
26 disk	EXT	8ft	6ft	46"SP	6ft	8ft		EXT			
		134		27	27		100	134			
30 disk	EXT	8ft	15.5 STUB	8ft	46"SP	8ft	15.5 STUB	8ft			
		134		27	27		100	134			
34 LNT disk		78in Mnt tube		100in Mnt tube		78in Mnt tube					
		6ft	46"SP	6ft	6ft	46"SP	6ft	6ft			
		178	143	110	45	2	45	110	143	178	
38 LNT disk		78in Mnt tube		100in Mnt tube		78in Mnt tube					
		8ft	46"SP	6ft	6ft	46"SP	8ft	6ft	6ft	46"SP	8ft
		178	143	110	45	2	45	110	143	178	

x		x
x	x	x

 APPROX ARM LOCATION (IN FROM CENTER)
SECTION, STUBS, SPANNERS & EXT

EXAMPLE FOR HARROW ASSEMBLY



EXAMPLE CPW 22-24

